

# HORAY



# Horay Installation Manual

Double Glass

EXCELLENT PV MODULE MANUFACTURER





## HORAY SOLAR PV MODULES

# Installation and User Manual

Revision date: 1 Jan, 2024 | Applicable for IEC certified products

This manual applies to photovoltaic modules ("PV modules," also commonly known as solar panels) manufactured by **HoRay Solar** Co., Ltd. ("**HoRay Solar**"), and is explicitly written for qualified professionals ("Installer" or "Installers"), including without limitation licensed electricians and RAL Certified PV Installers.

## INTRODUCTION

Thank you for choosing **HoRay** Solar as your PV module provider. We appreciate your business! This manual contains important information pertaining to the electrical and mechanical installation and maintenance of PV modules, and contains safety information that you must read carefully and be familiar with before handling, installing, and/or maintaining **HoRay** Solar PV modules.

**HoRay** Solar does not assume responsibility and expressly disclaims liability for losses, damages, or expenses arising out of, or in any way connected with this Installation and User Manual.

**HoRay** Solar assumes no responsibility for any infringement of patents or other rights of third parties, which may result from using **HoRay** Solar PV modules. No license is granted expressly or by implication or under any patent or patent rights. The information in this manual is believed to be reliable, but does not constitute an expressed or implied warranty. **HoRay** Solar reserves the right to make changes to its PV modules and other products, their specifications, or this manual without prior notice.

**HoRay** Solar and its subsidiaries are not liable for any damages caused by inappropriate installation, use, or maintenance of **HoRay** Solar PV modules, including without limitation damages, losses, and expenses caused by nonobservance of the instructions of this manual or caused by or in connection with products of other manufacturers.

**HoRay** Solar PV modules are designed to meet the requirements for the standards IEC 61215 and IEC 61730, application class A. Modules rated for use in this application class may be used in systems operating at greater than 50 V DC or 240 W, where general contact access is anticipated. Modules qualified for safety through IEC 61730-1 and IEC 61730-2 and within this application class are considered to meet the requirements for safety class II. In the course of the PV module certification process, the compliance of this manual with the certification requirements has been

verified by an independent certification laboratory.

This Installation and User Manual is available in different languages. In cases of discrepancy between versions, the English language version shall control. Failure to comply with the requirements listed in this manual will invalidate the Limited Warranty for PV Modules as provided by **HoRay** Solar at the time of sale to the direct customer. Additional recommendations are provided to enhance safety practices and performance results. Please provide a copy of this manual to the PV system owner for their reference, and inform them of all relevant aspects of safety, operation, and maintenance.

## SAFETY

### General

You must understand and follow all applicable local, state, and federal regulations and standards for building construction, electrical design, fire, and safety, and must check with local authorities to determine applicable permitting requirements before attempting to install or maintain PV modules.

Rooftop PV systems should only be installed on dwellings that have been formally analyzed for structural integrity, and confirmed to be capable of handling the additional weighted load of PV system components, including PV modules, by a certified building specialist or engineer.



For your safety, do not attempt to work on a rooftop until safety precautions have been identified and taken, including without limitation fall protection measures, ladders or stairways, and personal protective equipment (PPE).

For your safety, do not install or handle PV modules under adverse conditions, including without limitation strong or gusty winds, and wet or frosted roof surfaces.

The flat-plate PV module construction consists of a laminated assembly of solar cells encapsulated within an insulating material with a rigid glass surface and an insulated substrate. The laminated assembly is supported by an aluminum frame that is also used for mounting the module. See Figure 1 for an illustration of the PV module components.

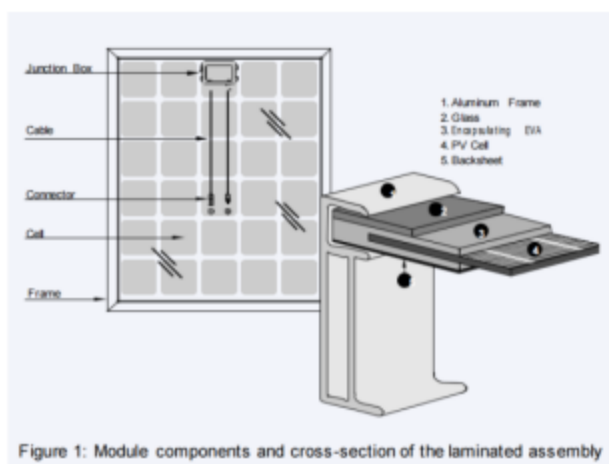


Figure 1: Module components and cross-section of the laminated assembly

## Electrical



PV modules can produce current and voltage when exposed to light of any intensity. Electrical current increases with higher light intensity. DC voltage of 30 Volts or higher is potentially lethal. Contacting the live circuitry of a PV system operating under light can result in lethal electric shock.

De-energize PV modules by removing them entirely from light or by covering their front surface with an opaque material. Regard the safety regulations for live electrical equipment when working with modules that are exposed to any light. Use insulated tools and do not wear metallic jewelry while working with PV modules.

In order to avoid arcing and electrical shock, do not disconnect electrical connections under load. Faulty connections can also result in arcing and electrical shock. Keep connectors dry and clean, and ensure that they are in proper working condition. Never insert metallic objects into the connectors, or modify them in any way in order to secure an electrical connection.

Do not touch or handle PV modules with broken glass, separated frames, or a damaged backsheet unless the PV modules are first disconnected and you are wearing proper PPE. Avoid handling PV modules when they are wet unless cleaning the PV modules as directed in this manual. Never touch electrical connections that are wet without protecting yourself with insulated gloves.

## Transport and Handling

**HoRay** Solar PV modules must be transported in the supplied packaging only and kept in the packaging until they are ready to be installed. Protect pallets against movement and exposure to damage during transportation. Secure pallets from falling over. Do not exceed the maximum height of pallets to be stacked, as indicated on the pallet packaging. Store pallets in a cool and dry location until the PV modules are ready to be unpackaged.

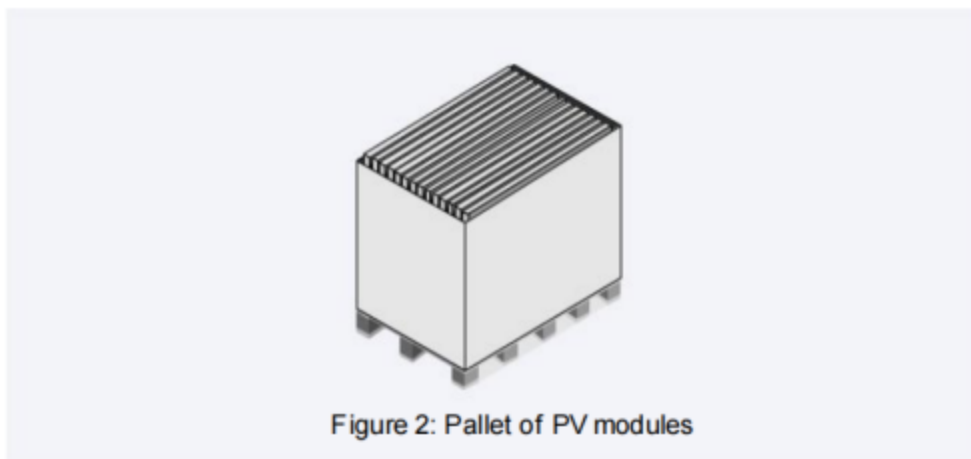


Figure 2: Pallet of PV modules

**HoRay** Solar PV modules are heavy and should be handled with care. PV modules shall be handled at the frame; never use the junction box or cables as a grip. Do not exert mechanical stress on the cables. Never step on PV modules or drop or place heavy objects on them. Be



careful when placing PV modules on hard surfaces, and secure them from falling. Broken glass can result in personal injury. PV modules with broken glass cannot be repaired and must not be used. Broken or damaged PV modules must be handled carefully and disposed of properly.

For unpacking PV modules from the **HoRay** Solar supplied packaging, first remove the pallet lid (after removing securing straps, if provided). Remove PV modules one at a time by sliding them up the channel in the package (see Figure 3). You may need to secure the remaining PV modules in the pallet packaging to prevent them from falling over.

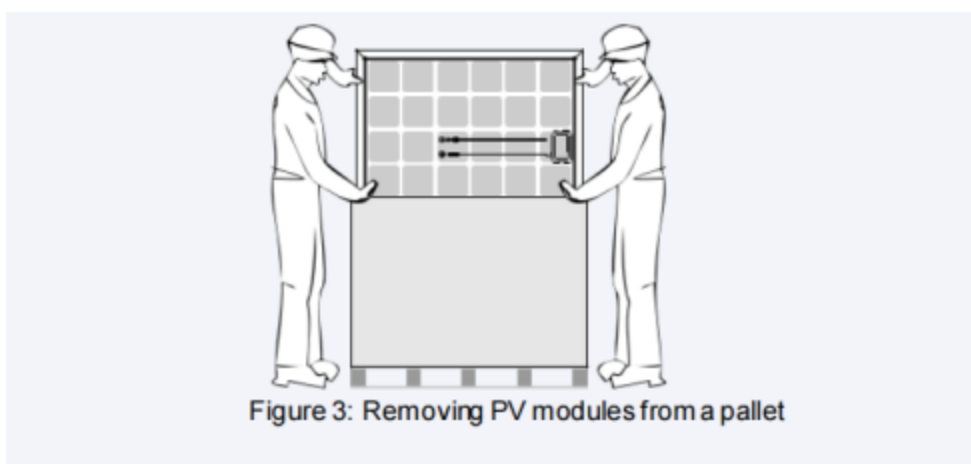


Figure 3: Removing PV modules from a pallet

Check PV modules for damage due to transportation before they are installed; do not install damaged modules. Contact the company you purchased the **HoRay** Solar PV modules from in order to obtain information on making claims for defective PV modules.

PV module surfaces are susceptible to damage that could affect the performance or safety of the PV module; do not damage or scratch the PV module surfaces, and do not apply paint or adhesive to any of the surfaces, including the frame. For your safety, do not disassemble or modify **HoRay** Solar PV modules in any way. Doing so may degrade performance or cause irreparable damage and will void any applicable warranties.

If it is necessary to store PV modules prior to installation, the PV modules should remain inside the packaging and protected from exposure that could compromise the durability of the packaging.

## Fire

**HoRay** Solar PV Modules have a Class C fire resistance rating in accordance with the IEC 61730-2 certification. When PV modules are mounted on rooftops, the roof must have a fire-resistant covering suitable for this application. PV modules are electrical generating devices that may affect the fire safety of a building. The use of improper installation methods and/or defective parts may result in the unexpected occurrence of an electrical arc during operation. In order to mitigate the risk of fire in this event, PV modules should not be installed near flammable liquids, gases, or locations with hazardous materials.

In the event of a fire, PV modules may continue to produce a dangerous voltage, even if they have been disconnected from the inverter, have been partly or entirely destroyed, or the system wiring has been compromised or destroyed. In the event of fire, inform the fire crew about the

particular hazards from the PV system, and stay away from all elements of the PV system during and after a fire until the necessary steps have been taken to make the PV system safe.

## APPLICATION INFORMATION

### Application Restrictions

**HoRay** Solar PV modules must be mounted on appropriate mounting structures positioned on suitable buildings, the ground, or other structures suitable for PV modules (e.g., carports, building facades, or PV trackers). PV modules must not be mounted on moving vehicles of any kind. **HoRay** Solar PV modules must not be installed in locations where they could be submerged in water.

**HoRay** Solar PV modules must not be sited in locations where aggressive substances such as salt or salt-water, or any other type of corrosive agent, could affect the safety and/or performance of the PV modules. Although some types of **HoRay** Solar PV modules have passed the IEC 61701 salt-mist corrosion test with a salt concentration of 5% by weight, galvanic corrosion can occur between the aluminum frame of the PV module and mounting or grounding hardware if such hardware is comprised of dissimilar metals. **HoRay** Solar recommends that only stainless steel and aluminum metal directly contact PV modules in seaside installations to limit corrosion.

Artificially concentrated light must not be directed on **HoRay** Solar PV modules.

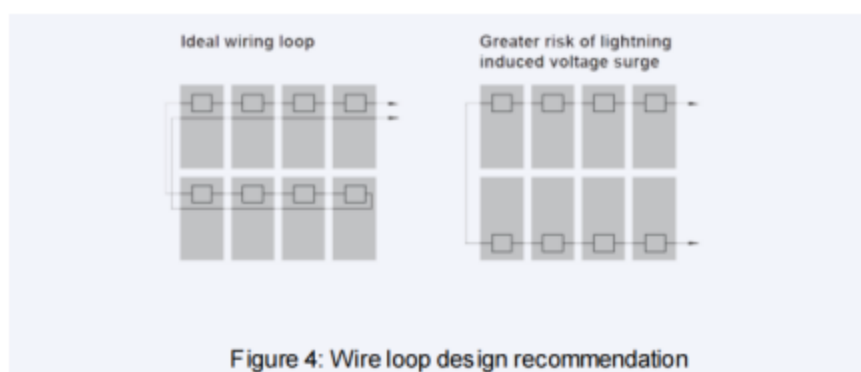
### Design Recommendations

**HoRay** Solar recommends that PV modules be mounted at a minimum tilt angle of 10 degrees to allow for proper self-cleaning from normal rain showers. Partial or complete shading of a PV module or modules can significantly reduce system performance. **HoRay** Solar recommends minimizing the amount of shade throughout the year to increase the amount of energy produced by the PV modules.

Lightning protection is recommended for PV systems that are to be installed in locations with high probability of lightning strikes.

High system voltages could be induced in the event of an indirect lightning strike, which could cause damage to PV system components. The open area of wire loops should be minimized, as shown in Figure 4, in order to reduce the risk of lightning-induced voltage surges.

**HoRay** recommends that modules used or installed should be 2000 meters (altitude) at most.

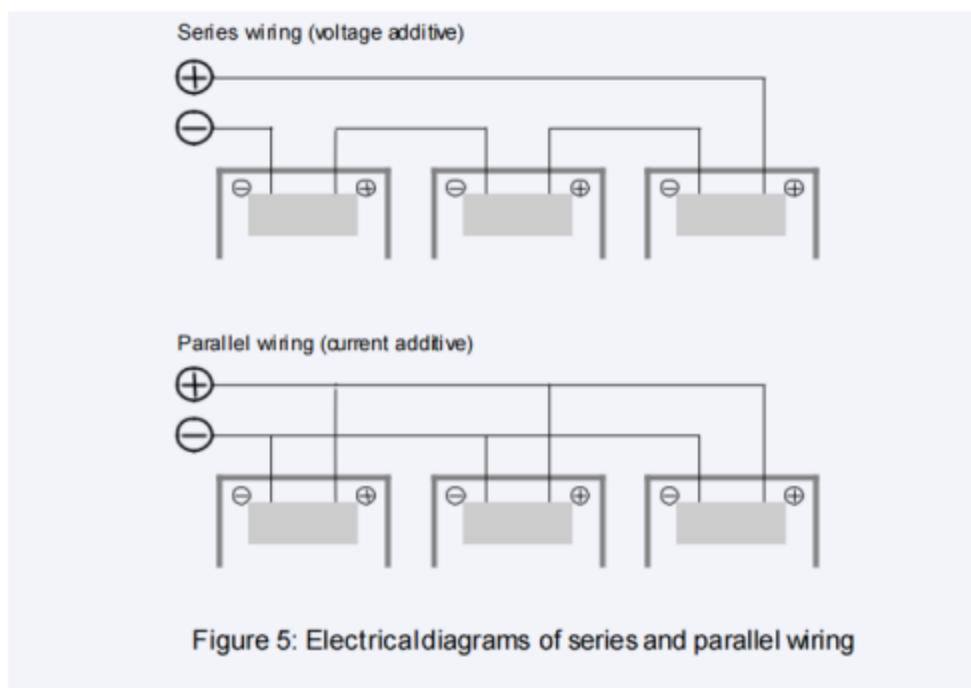


## ELECTRICAL INSTALLATION

### Electrical Configuration

Under normal conditions, a photovoltaic module is likely to experience conditions that produce more current and/or voltage than reported at Standard Test Conditions (STC: 1000 W/m<sup>2</sup>, AM 1.5, and 25°C cell temperature). The short-circuit current (ISC) should be multiplied by a factor of 1.25 and the open-circuit voltage (VOC) should be multiplied by a factor of up to 1.25 based on the lowest ambient temperature recorded for the installation location when determining component voltage ratings, conductor current ratings, fuse sizes, and size of controls connected to the PV output.

Voltages are additive when PV modules are connected directly in series, and module currents are additive when PV modules are connected directly in parallel, as illustrated in Figure 5. PV modules with different electrical characteristics must not be connected directly in series. The use of suitable third-party electronic devices connected to PV modules may enable different electrical connections and must be installed according to the manufacturer's specified instructions.



The maximum number of PV modules that can be connected in a series string must be calculated in accordance with applicable regulations in such a way that the specified maximum system voltage of the PV module and all other electrical DC components will not be exceeded in open-circuit operation at the lowest temperature expected at the PV system location.

An appropriately rated overcurrent protection device must be used when the reverse current could exceed the value of the maximum fuse rating of the module. An overcurrent protection device and anti-reflection diode module are required for each series string if more than two series strings are connected in parallel, and reverse polarity is forbidden.

## Cables and Wiring

**HoRay** Solar PV modules are provided with two (2) stranded, sunlight-resistant output cables that are terminated with PV connectors ready for most installations. The positive (+) terminal has a female connector while the negative (-) terminal has a male connector. The module wiring is intended for series connections [i.e., female (+) to male (-) interconnections], but can also be used to connect suitable third-party electrical devices that may have alternative wiring configurations so long as the manufacturer's instructions are followed.

Use field wiring with suitable cross-sectional areas that are approved for use at the maximum short-circuit current of the PV module. **HoRay** Solar recommends installers use only sunlight-resistant cables qualified for direct current (DC) wiring in PV systems. The minimum wire size should be 4 mm<sup>2</sup>.

Table 1: Required minimum field wiring specifications

	Testing Standard	Wire Size	Temperature Rating
Required Minimum Field Wiring	EN 50618	4mm <sup>2</sup>	-40°C to +90°C

Cables should be fixed to the mounting structure in such a way that mechanical damage of the cable and/or the module is avoided. Do not apply stress to the cables. Do not bend cables to a bending radius of less than 40mm. For fixing, use appropriate means, such as sunlight-resistant cable ties and/or wire management clips specifically designed to attach to the PV module frame. While the cables are sunlight-resistant and waterproof, where possible, avoid direct sunlight exposure and water immersion of the cables.

## Connectors



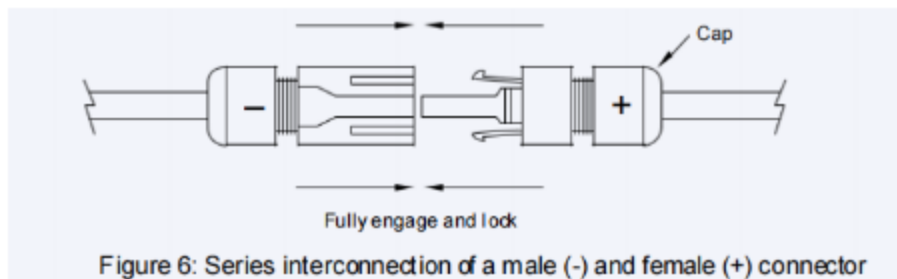
Keep connectors dry and clean, and ensure that connector caps are hand-tight before connecting the modules. Do not attempt making an electrical connection with wet, soiled, or otherwise faulty connectors. Avoid sunlight exposure and water immersion of the connectors. Avoid connectors resting on the ground or roof surface.

Faulty connections can result in arcs and electrical shock. Check that all electrical connections are securely fastened. Make sure that all locking connectors are fully engaged and locked.

Modules must not be interconnected using connectors from different manufacturers and/or of different types. If modules having such different connectors need to be interconnected, a qualified professional may replace connectors according to the manufacturer's specified instructions such that an interconnection can be made with connectors from the same manufacturer and the same type.

The suppliers and types of connectors should be in accordance with the standard IEC 62852. For more details, please see the CDF.





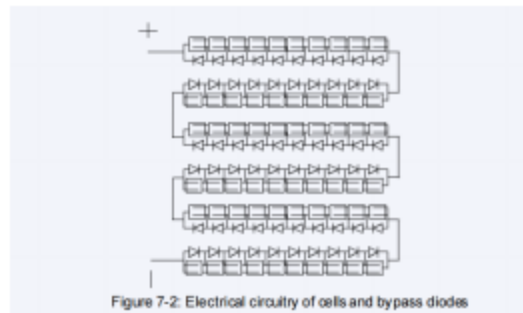
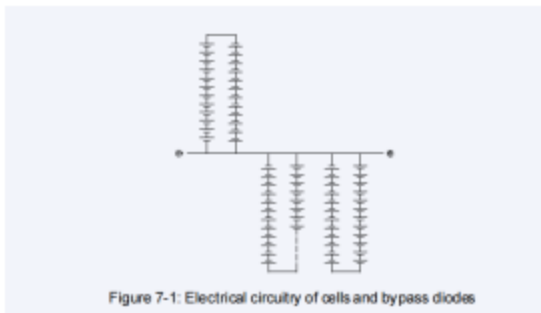
### Bypass Diodes

The junction boxes used with **HoRay** Solar PV modules (not Smart Hot Spot Free module) contain bypass diodes wired in parallel with the PV cell strings. In the case of partial shading, the diodes bypass the current generated by the non-shaded cells, thereby limiting module heating and performance losses. Bypass diodes are not overcurrent protection devices.

Bypass diodes divert current from the cell strings in the event of partial shading. See Figure 7-1 for a diagram showing how the cell strings are electrically connected with the diodes.

Every piece of cells from **HoRay** Smart Hot Spot Free module parallels a diode, with a cell is covered by shade or occurs an exception, the paralleled diode can bypass this cell, thus avoid hot spot, and can retain the maximum power output.

Bypass diodes divert current from a cell in the event of partial shading. See Figure 7-2 for a diagram showing how the cells are electrically connected with the diodes.



In the event of a known or suspected diode failure, installers or maintenance providers should contact the company the PV modules were purchased from. Never attempt to open the junction box of a **HoRay** Solar PV module yourself.

### Grounding

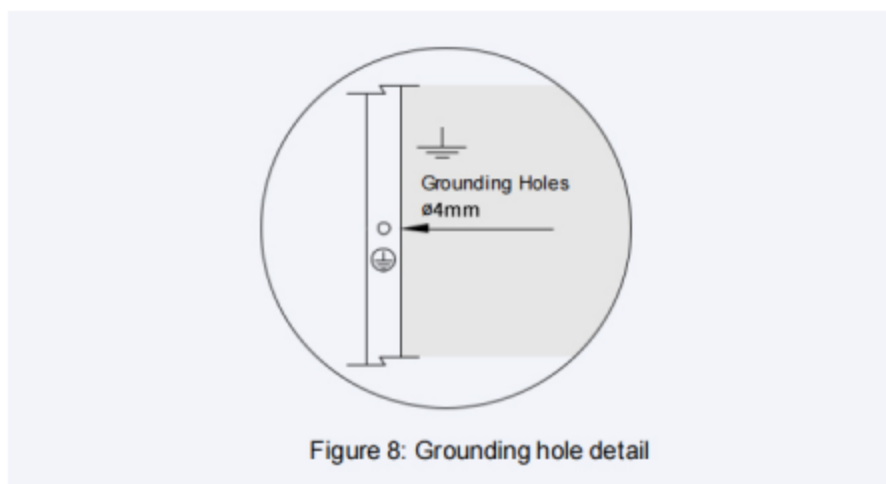
The frame of the PV module, as well as any exposed non-current-carrying metal parts of fixed equipment that are able to become energized by the PV system, must be connected to the equipment grounding conductor (EGC) in order to prevent electrical shock. Even when applicable regulations, code requirements, and standards do not require safety-related grounding, **HoRay** Solar recommends grounding all PV module frames in order to ensure the voltage between electrically conductive equipment and earth ground is zero in all circumstances.

Proper equipment grounding is achieved by bonding all exposed non-current-carrying metal equipment continuously to one another using an appropriately sized EGC or racking system that can be used for integrated grounding (see Option B in Grounding Methods below).

**HoRay** Solar PV modules employ a coated aluminum frame for corrosion resistance. In order to properly ground the module frame, the coating must be penetrated.

The potential for corrosion due to the electrochemical action between dissimilar metals in contact is minimized if the electrochemical voltage potential between the dissimilar metals is low. The grounding method must not result in the direct contact of dissimilar metals with the aluminum frame of the PV module that will result in galvanic corrosion. An addendum to UL Standard 1703 “Flat Plate Photovoltaic Modules and Panels” recommends metal combinations not exceed an electrochemical potential difference of 0.5 Volts.

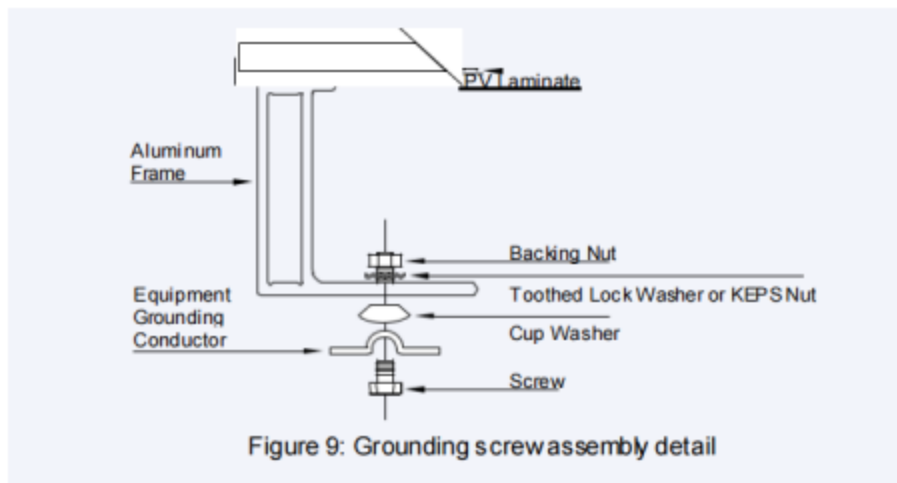
The frame rails have pre-drilled holes marked with a grounding sign, as illustrated in Figure 8. These holes should be used for grounding purposes and must not be used for mounting the PV modules. Do not drill additional holes into the frame rails.



The following grounding methods are available:

#### **Option A: Screw Assembly (see Figure 9)**

1. A grounding screw assembly must be attached at a designated grounding hole location using only stainless steel hardware. Insert an M3 stainless steel screw first through the stainless steel cup washer, and then through the grounding hole.
2. Loosely engage a stainless steel backing nut and toothed lockwasher to the screw.
3. Bend the EGC into an omega ( $\Omega$ ) shape to tightly fit between the partially installed screw head and cup washer. The EGC shall be exclusively in contact with stainless steel.
4. Tighten the screw to 2.3 N·m torque. The toothed lockwasher should be visibly engaged to the frame.
5. Route the appropriately sized EGC in such a way as to avoid contact with the aluminum module frame.



## Option B: Racking Manufacturer Integrated

### Grounding Methods

**HoRay** Solar PV modules can be grounded by bonding PV modules to a grounded racking system. Integrated grounding methods must be certified for grounding PV modules and must be installed in accordance with the specified instructions of their respective manufacturers.

## Option C: Additional Third-party Grounding Devices

**HoRay** Solar PV modules can be grounded using third-party grounding devices so long as they are certified for grounding PV modules and the devices are installed according to the manufacturer's specified instructions.

## MECHANICAL INSTALLATION

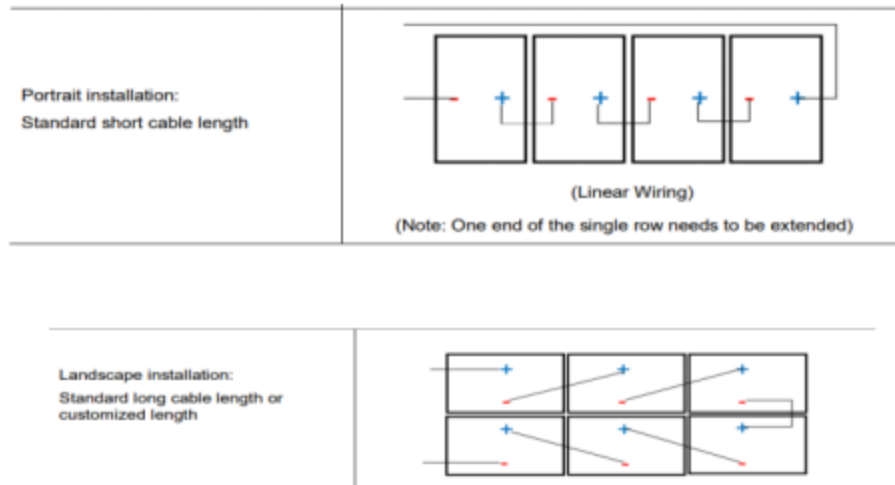
### General

**HoRay** Solar PV Modules have been certified for a maximum static load on the back of the module of up to 1600 Pa (i.e. wind load) and a maximum static load on the front of the module of up to either 1600 Pa or 3600 Pa (i.e. wind and snow load) with a safety factor of 1.5 depending on the module type (please refer to the data sheet for this information).

Mounting structures and other mechanical parts must be designed and approved to withstand the design wind and snow loads applicable for a particular site. **HoRay** Solar PV modules must not be subjected to forces from the substructure, including forces caused by thermal expansion.

The mounting method must not result in the direct contact of dissimilar metals with the aluminum frame of the PV module that will result in galvanic corrosion. An addendum to UL Standard 1703 "Flat Plate Photovoltaic Modules and Panels" recommends metal combinations not exceed an electrochemical potential difference of 0.5 Volts.

**HoRay** Solar PV modules can be mounted in landscape or portrait orientation, as illustrated in Figure 10, provided that the mounting method follows one of the acceptable methods listed below.



**Figure 10: Landscape and portrait mounting**

In order to maintain the fire class rating, the distance between the PV module front surface (glass) and the roof surface shall be at least 10 cm. This spacing also allows air flow to cool the PV module. Install PV modules with a minimum spacing of 1 cm between neighboring frames to allow for thermal expansion.

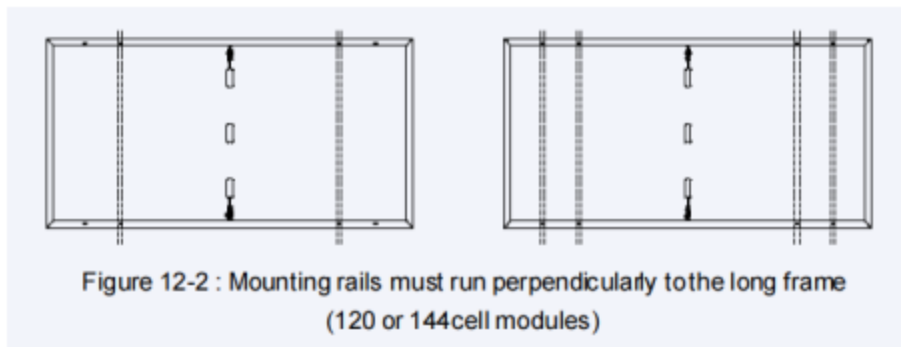
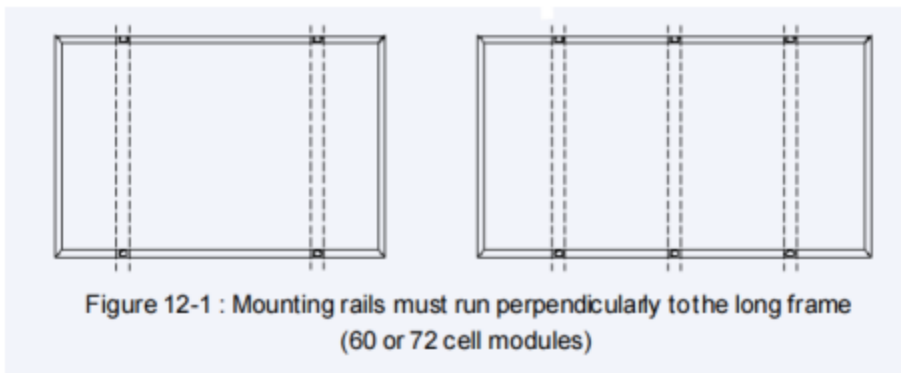
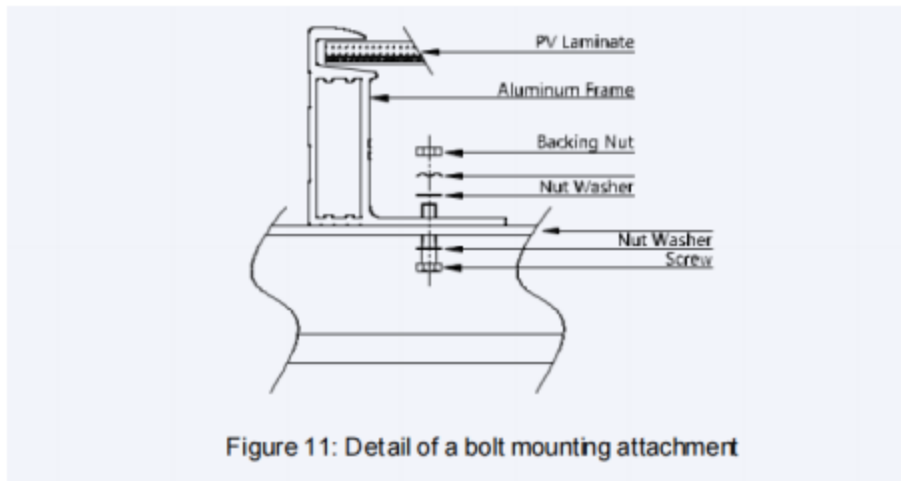
### Mounting Methods

The following mounting methods are available:

#### Bolts or Clamps

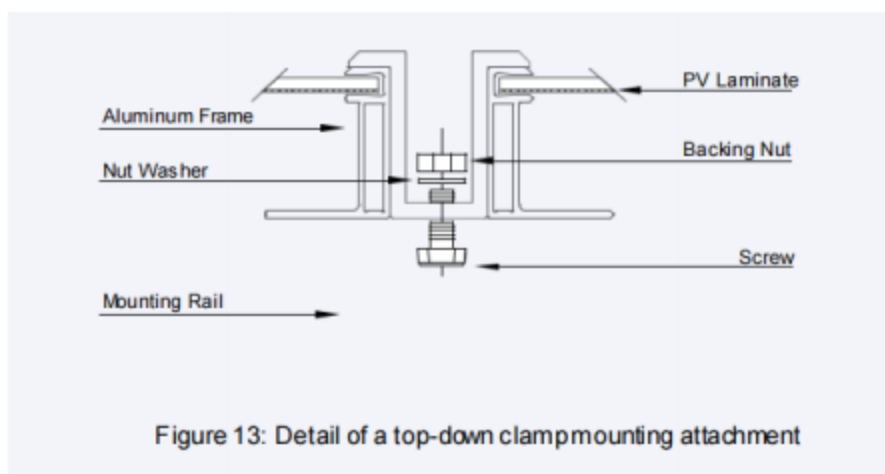
Refer to the Module Supplement distributed with this manual to determine how many connection points are required for a specific module series. The locations of mounting holes and clamp tolerances are illustrated in the drawings located in the Module Supplement. Do not modify the existing mounting holes or drill new holes. Do not apply excessive pressure on the frame such that the frame deforms.

**Bolts:** Modules must be mounted using the mounting holes located on the rear side of the long frame parts using M8 stainless steel bolts, nuts, and washers. The torque of screw tightening should be between 14 N·m to 20 N·m.



**Top-down Clamps:** Third-party clamps that have been designed for PV mounting structures are an approved mounting attachment method for **HoRay** Solar PV modules. Modules must be fastened using clamps applied to the top side of the long frame parts. A clamp holds two modules except for the clamps at the beginning and end of a module row. The centerline of the clamps must be in line with the mounting hole positions plus or minus a distance of 50mm. The module clamps should not contact with the front glass and deform the frame, and avoiding shadowing effects from the module clamps. The module frame is not to be modified under any circumstances. The applied torque value should be big enough to fix the modules steadily, the torque of screw tightening should be between 16N·m to 24N·m.





## MAINTENANCE

### General

**HoRay Solar** recommends that PV systems be periodically inspected by the installer, or other qualified person.

The purpose of the PV system inspection is to ensure that all system components are functioning properly. At a minimum, this inspection should confirm the following:

All cables and connector attachments are undamaged and properly secured.

- No sharp objects are in contact with the PV module surfaces.
- PV modules are not shaded by unwanted obstacles and/or foreign material.
- Mounting and grounding components are tightly secured with no corrosion. Defects should be addressed immediately.

### Cleaning

Over time, dirt and dust can accumulate on the glass surface of the module, reducing its power output. **HoRay Solar** recommends periodic cleaning of PV modules to ensure maximum power output, especially in regions with low precipitation.

In order to reduce the potential for electrical and thermal shock, **HoRay Solar** recommends cleaning PV modules during early morning or late afternoon hours when solar radiation is low and the modules are cooler, especially in regions with hotter temperatures.

Never attempt to clean a PV module with broken glass or other signs of exposed wiring, as this presents a shock hazard.

Clean the glass surface of the PV modules with a soft brush using soft, clean water (pH 6-9) with a recommended pressure less than 690 kPa, which is typical of most municipal water systems. Water with high mineral content may leave deposits on the glass surface and is not recommended.

**HoRay** Solar PV modules may contain a hydrophobic anti-reflective coating on the glass surface to enhance power output and reduce dirt and dust buildup. In order to avoid module damage, do not clean PV modules with a power washer or pressure washer. Do not use steam or corrosive chemicals to facilitate the cleaning of modules. Do not use aggressive tools or abrasive materials that could scratch or damage the glass surface. Failure to comply with these requirements may adversely affect the PV module performance.

**HoRay** Solar PV modules are designed to withstand high snow loads. However, if removing snow is desired to enhance production, use a brush to gently remove snow. Do not try to remove frozen snow or ice from PV modules.

## DECOMMISSIONING

The dismantling of PV systems must be performed with the same care and safety precautions used during the initial installation. The PV system can generate hazardous voltage even after the system has been disconnected. Follow safety regulations for working with live electrical equipment.

### Meaning of crossed –out wheeled dustbin:

Do not dispose of electrical appliances as unsorted municipal waste, use separate collection facilities.

Contact your local government for information regarding the collection systems available.

If electrical appliances are disposed of in landfills or dumps, hazardous substances can leak into the groundwater and get into the food chain, damaging your health and well-being. When replacing old appliances with new ones, the retailer is legally obligated to take back your old appliance for disposal at least free of charge.



HoRay Solar Co.,LTD.

No. 30-5, Yanxin East Road, Huishan District, Wuxi City, Jiangsu, P.R. China

info@Horaysolar.com

Tel:+86-510-83580688

[www.horaysolar.com](http://www.horaysolar.com)

## MODULE SUPPLEMENT

Revision date: 1 Jan, 2024 | Applicable for IEC certified products.

The information in this supplement is believed to be reliable, but does not constitute an expressed or implied warranty. Solar reserves the right to make changes to its PV modules and other products, their specifications, or this supplement without prior notice.

This supplement to the installation manual does not contain information about some older module series no longer being manufactured by **HoRay Solar**.

If you require information about such modules, please contact **HoRay Solar**.

This supplement refers to modules of the following types:

**Table 1: Module types**

TYPE	(Pmax) STC	(Pmax) BNPI	(Vmpp)	(Impp)	(Voc)	(Isc)	system voltage	Fuse rating
HS640-MHG-D	640	701	37.21	17.20	45.18	18.06	1500V	30A
HS645-MHG-D	645	706	37.41	17.24	45.38	18.11	1500V	30A
HS650-MHG-D	650	712	37.61	17.28	45.58	18.16	1500V	30A
HS655-MHG-D	655	717	37.81	17.32	45.78	18.21	1500V	30A
HS660-MHG-D	660	723	38.01	17.36	45.98	18.26	1500V	30A
HS585-MHG-D	585	641	33.80	17.31	40.90	18.37	1500V	30A
HS590-MHG-D	590	646	34.00	17.35	41.10	18.42	1500V	30A
HS595-MHG-D	595	652	34.20	17.40	41.30	18.47	1500V	30A
HS600-MHG-D	600	657	34.40	17.44	41.50	18.52	1500V	30A
HS535-MHG-D	535	586	31.36	17.06	37.66	18.07	1500V	30A
HS540-MHG-D	540	591	31.56	17.11	37.86	18.12	1500V	30A
HS545-MHG-D	545	597	31.76	17.16	38.06	18.17	1500V	30A
HS550-MHG-D	550	602	31.96	17.21	38.26	18.22	1500V	30A
HS485-MHG-D	485	531	28.49	17.03	34.22	18.05	1500V	30A
HS490-MHG-D	490	537	28.69	17.08	34.42	18.13	1500V	30A
HS495-MHG-D	495	542	28.89	17.13	34.62	18.21	1500V	30A
HS500-MHG-D	500	548	29.09	17.19	34.82	18.29	1500V	30A
HS535-MHO-D	535	586	41.00	13.05	49.20	13.81	1500V	25A
HS540-MHO-D	540	591	41.20	13.11	49.40	13.87	1500V	25A
HS545-MHO-D	545	597	41.40	13.17	49.60	13.93	1500V	25A
HS550-MHO-D	550	602	41.60	13.23	49.80	13.99	1500V	25A
HS555-MHO-D	555	608	41.80	13.28	50.00	14.05	1500V	25A
HS560-MHO-D	560	613	42.00	13.33	50.20	14.11	1500V	25A
HS495-MHO-D	495	542	37.60	13.17	45.10	13.78	1500V	25A
HS500-MHO-D	500	548	37.80	13.23	45.30	13.83	1500V	25A
HS505-MHO-D	505	553	38.00	13.29	45.50	13.89	1500V	25A

HS510-MHO-D	510	558	38.20	13.35	45.70	13.94	1500V	25A
HS515-MHO-D	515	564	38.40	13.41	45.90	14.00	1500V	25A
HS450-MHO-D	450	493	34.60	13.01	41.40	13.68	1500V	25A
HS455-MHO-D	455	498	34.80	13.08	41.60	13.73	1500V	25A
HS460-MHO-D	460	504	35.00	13.15	41.80	13.78	1500V	25A
HS465-MHO-D	465	509	35.20	13.21	42.00	13.84	1500V	25A
HS470-MHO-D	470	515	35.40	13.28	42.20	13.90	1500V	25A
HS405-MHO-D	405	443	31.02	13.06	37.14	14.93	1500V	25A
HS410-MHO-D	410	449	31.22	13.13	37.34	15.03	1500V	25A
HS415-MHO-D	415	454	31.42	13.21	37.54	15.13	1500V	25A
HS420-MHO-D	420	460	31.62	13.28	37.74	15.23	1500V	25A
HS445-MHL-D	445	487	41.20	10.81	49.80	11.40	1500V	20A
HS450-MHL-D	450	493	41.40	10.88	50.00	11.47	1500V	20A
HS455-MHL-D	455	498	41.60	10.94	50.20	11.54	1500V	20A
HS460-MHL-D	460	504	41.80	11.00	50.40	11.61	1500V	20A
HS465-MHL-D	465	509	42.00	11.08	50.60	11.68	1500V	20A
HS410-MHL-D	410	449	37.82	10.84	45.70	11.43	1500V	20A
HS415-MHL-D	415	454	38.02	10.92	45.90	11.52	1500V	20A
HS420-MHL-D	420	460	38.22	10.99	46.10	11.61	1500V	20A
HS425-MHL-D	425	465	38.42	11.06	46.30	11.69	1500V	20A
HS370-MHL-D	370	405	34.10	10.86	41.30	11.37	1500V	20A
HS375-MHL-D	375	411	34.30	10.95	41.50	11.46	1500V	20A
HS380-MHL-D	380	416	34.50	11.04	41.70	11.55	1500V	20A
HS385-MHL-D	385	422	34.70	11.10	41.90	11.66	1500V	20A

## MODULE SUPPLEMENT

Revision date: 1 Jan 2024 | Applicable for IEC certified products.

The information in this supplement is believed to be reliable, but does not constitute an expressed or implied warranty. Solar reserves the right to make changes to its PV modules and other products, their specifications, or this supplement without prior notice.

This supplement to the installation manual does not contain information about some older module series no longer being manufactured by **HoRay Solar**.

If you require information about such modules, please contact **HoRay Solar**.

This supplement refers to modules of the following types:

**Table 2: Module types**

TYPE	(Pmax) STC	(Pmax) BNPI	(Vmpp)	(Impp)	(Voc)	(Isc)	system voltage	Fuse rating
HS590 TC-MHO- D	590	644	43.44	13.59	51.63	14.38	1500V	25A
HS585 TC-MHO- D	585	637	43.33	13.51	51.52	14.30	1500V	25A
HS580 TC-MHO- D	580	632	43.22	13.42	51.41	14.22	1500V	25A
HS575 TC-MHO- D	575	627	43.11	13.34	51.30	14.14	1500V	25A
HS570 TC-MHO- D	570	621	43.00	13.26	51.19	14.05	1500V	25A
HS565 TC-MHO- D	565	616	42.91	13.17	51.09	13.97	1500V	25A
HS560 TC-MHO- D	560	611	42.82	13.08	50.99	13.89	1500V	25A
HS540 TC-MHO- D	540	595	40.64	13.29	48.27	14.35	1500V	25A
HS535 TC-MHO- D	535	589	40.44	13.23	48.04	14.29	1500V	25A
HS530 TC-MHO- D	530	584	40.24	13.17	47.81	14.22	1500V	25A
HS525 TC-MHO- D	525	578	40.04	13.11	47.57	14.16	1500V	25A
HS520 TC - MHO- D	520	573	39.84	13.05	47.33	14.10	1500V	25A
HS515 TC - MHO- D	515	568	39.64	12.99	46.98	14.03	1500V	25A
HS490TC- MHO- D	490	540	36.84	13.3	43.66	14.37	1500V	25A
HS485TC- MHO- D	485	534	36.64	13.23	43.46	14.30	1500V	25A
HS480TC- MHO- D	480	529	36.44	13.17	43.26	14.22	1500V	25A
HS475 TC - MHO- D	475	523	36.24	13.11	43.06	14.15	1500V	25A
HS470 TC - MHO- D	470	518	36.04	13.04	42.86	14.08	1500V	25A
HS440 TC - MHO- D	440	485	33.24	13.24	39.53	14.30	1500V	25A
HS435 TC - MHO- D	435	479	33.04	13.17	39.33	14.22	1500V	25A
HS430 TC - MHO- D	430	474	32.84	13.10	39.13	14.15	1500V	25A
HS425 TC - MHO- D	425	468	32.64	13.03	38.93	14.07	1500V	25A
HS420 TC - MHO- D	420	463	32.44	12.95	38.73	14.00	1500V	25A
HS700TC - MHG- D	700	770	42.77	16.37	49.50	17.68	1500V	30A
HS695TC - MHG- D	695	765	42.57	16.33	49.43	17.63	1500V	30A
HS690TC - MHG- D	690	759	42.31	16.31	48.84	17.61	1500V	30A
HS685TC - MHG- D	685	754	42.04	16.29	48.64	17.60	1500V	30A
HS680TC - MHG- D	680	748	41.84	16.25	48.51	17.55	1500V	30A



HS675TC - MHG-D	675	743	41.71	16.18	48.38	17.48	1500V	30A
HS670TC - MHG-D	670	737	41.51	16.14	48.25	17.43	1500V	30A
HS635TC - MHG-D	635	699	38.70	16.41	44.94	17.72	1500V	30A
HS630TC - MHG-D	630	693	38.46	16.38	44.40	17.69	1500V	30A
HS625TC - MHG-D	625	688	38.22	16.35	44.22	17.66	1500V	30A
HS620TC - MHG-D	620	682	38.04	16.30	44.10	17.60	1500V	30A
HS615TC - MHG-D	615	677	37.92	16.22	43.98	17.52	1500V	30A
HS610TC - MHG-D	610	671	37.74	16.16	43.86	17.46	1500V	30A
HS580TC - MHG-D	580	638	35.26	16.45	40.70	17.77	1500V	30A
HS575TC - MHG-D	575	633	35.04	16.41	40.54	17.73	1500V	30A
HS570TC - MHG-D	570	627	34.87	16.35	40.43	17.65	1500V	30A
HS565TC - MHG-D	565	622	34.76	16.25	40.32	17.55	1500V	30A
HS560TC - MHG-D	560	616	34.60	16.19	40.21	17.48	1500V	30A
HS530TC - MHG-D	530	583	32.05	16.54	37.00	17.86	1500V	30A
HS525TC - MHG-D	525	578	31.85	16.48	36.86	17.80	1500V	30A
HS520TC - MHG-D	520	572	31.70	16.40	36.75	17.72	1500V	30A
HS515TC - MHG-D	515	567	31.60	16.30	36.65	17.60	1500V	30A
HS510TC - MHG-D	510	561	31.45	16.22	36.55	17.51	1500V	30A
HS445TC-MHA-D	445	490	33.19	13.41	39.77	13.87	1500V	25A
HS440TC-MHA-D	440	484	32.99	13.34	39.57	13.80	1500V	25A
HS435TC-MHA-D	435	478	32.78	13.27	39.36	13.72	1500V	25A
HS430TC-MHA-D	430	473	32.58	13.20	39.16	13.65	1500V	25A
HS425TC-MHA-D	425	468	32.37	13.13	38.95	13.58	1500V	25A
HS620TC-MHB-D	620	462	44.80	13.84	52.60	14.78	1500V	30A
HS615TC-MHB-D	615	677	44.60	13.79	52.40	14.72	1500V	30A
HS610TC-MHB-D	610	671	44.40	13.74	52.20	14.66	1500V	30A
HS605TC-MHB-D	605	666	44.20	13.69	52.00	14.60	1500V	30A
HS600TC-MHB-D	600	660	44.00	13.64	51.80	14.54	1500V	30A
HS595TC-MHB-D	595	655	43.80	13.59	51.60	14.48	1500V	30A
HS590TC-MHB-D	590	649	43.60	13.54	51.40	14.42	1500V	30A
HS605TC-MHC-D	605	666	40.50	14.94	48.70	15.83	1500V	30A
HS600TC-MHC-D	600	660	40.30	14.91	48.40	15.80	1500V	30A
HS595TC-MHC-D	595	655	40.00	14.89	48.10	15.76	1500V	30A
HS590TC-MHC-D	590	649	39.70	14.86	47.80	15.72	1500V	30A
HS585TC-MHC-D	585	644	39.50	14.82	47.50	15.68	1500V	30A
HS440TC-MHC-D	440	483	31.90	13.78	34.75	14.01	1500V	25A
HS435TC-MHC-D	435	478	31.86	13.64	34.60	13.98	1500V	25A
HS430TC-MHC-D	430	473	31.81	13.53	34.50	13.96	1500V	25A
HS425TC-MHC-D	425	468	31.68	13.42	34.37	13.93	1500V	25A

## MOUNTING REQUIREMENTS

### Mounting Method: Clamps

**Table 2: Mounting requirements**

Modules that Require Four (4) Connection Points
HS 60 Cell Series 2 HS60 Cell Series 2
HS60 Cell HS 60 Cell1 500V
HS 120 Cell half Cell HS 120 Cell half Cell
HS 60 Cell HS 60 Cell
HS 108 Cells

## ELECTRICAL CHARACTERISTICS

Nameplate ratings are average values. The electrical characteristics are within  $\pm 10$  percent of the indicated values of  $I_{sc}$ ,  $V_{oc}$ , and  $P_{max}$  under Standard Test Conditions (irradiance of  $1000 \text{ W/m}^2$ , AM 1.5 spectrum, and a cell temperature of  $25^\circ\text{C}$ ). Refer to module datasheets for specific power output tolerances. Please refer to Table 1 to see which power classes actually exist for which module series.

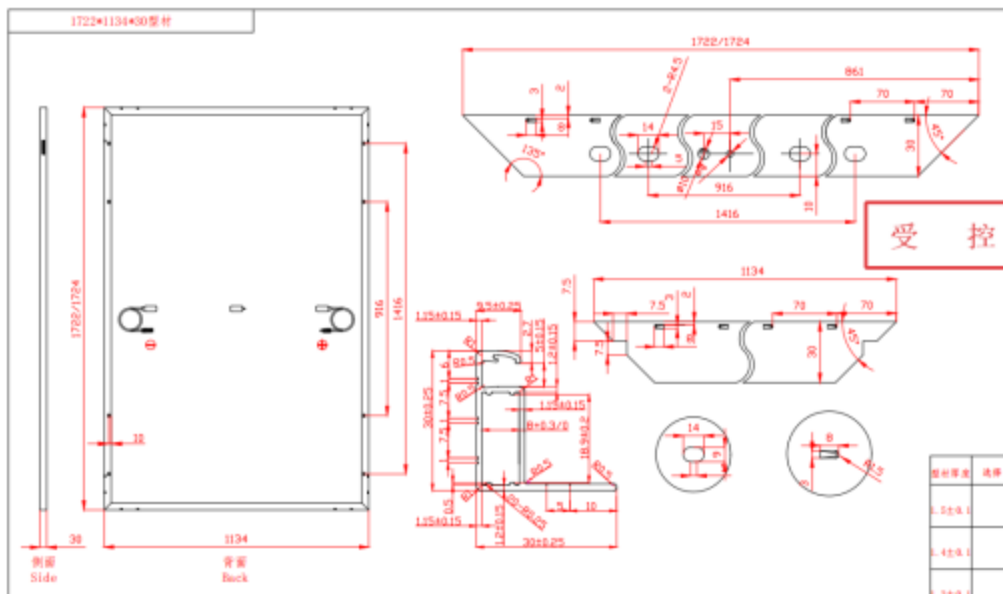
# REAR AND SIDE VIEW DIMENSIONS OF MODULE SERIES WITH 30MM FRAME

(CONT.)

UNITS: mm

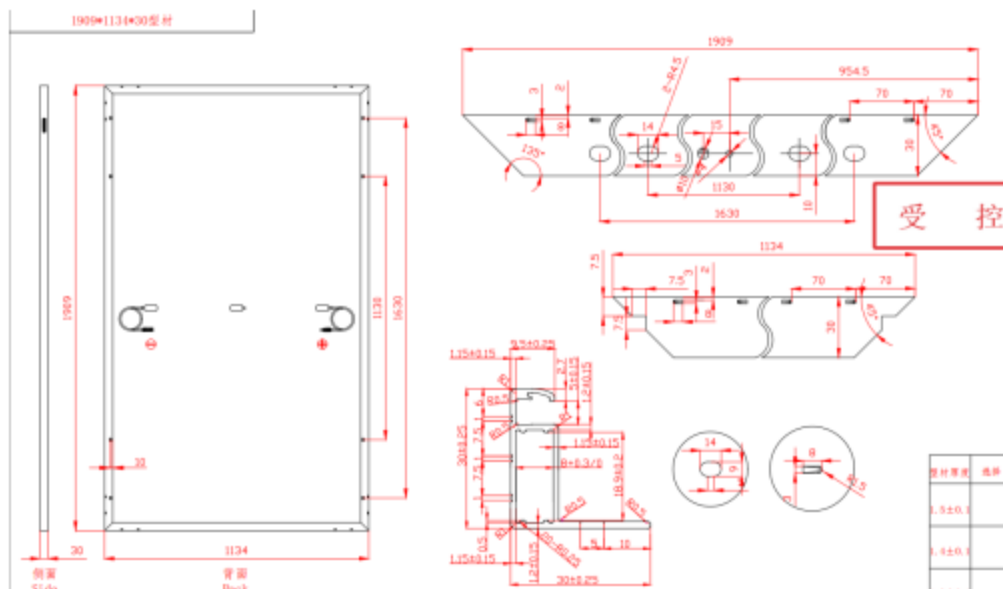
## MüllerSolartechnik 108 Cells

(also valid for MüllerSolartechnik 108 Cells)



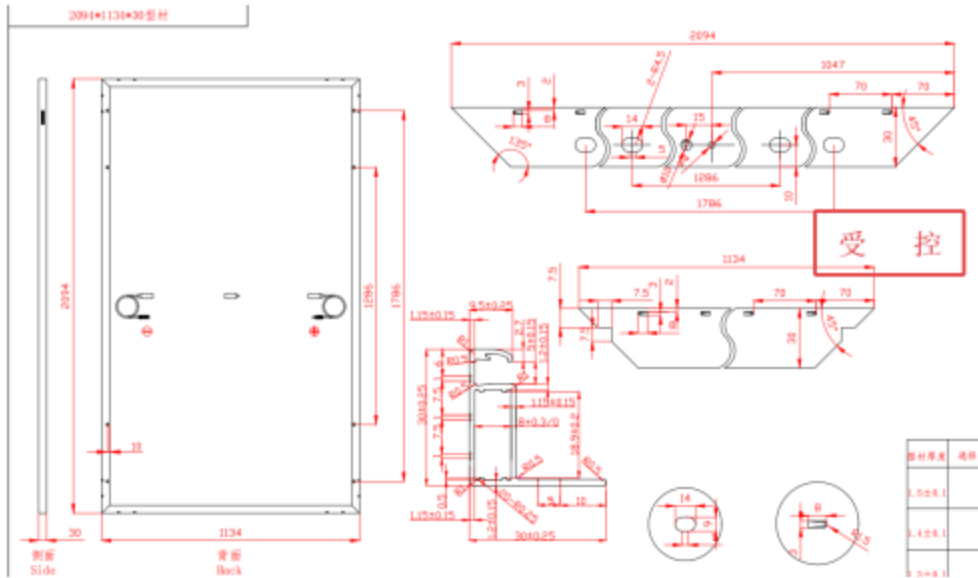
## MüllerSolartechnik 120 Cells

(also valid for MüllerSolartechnik 120 Cells)



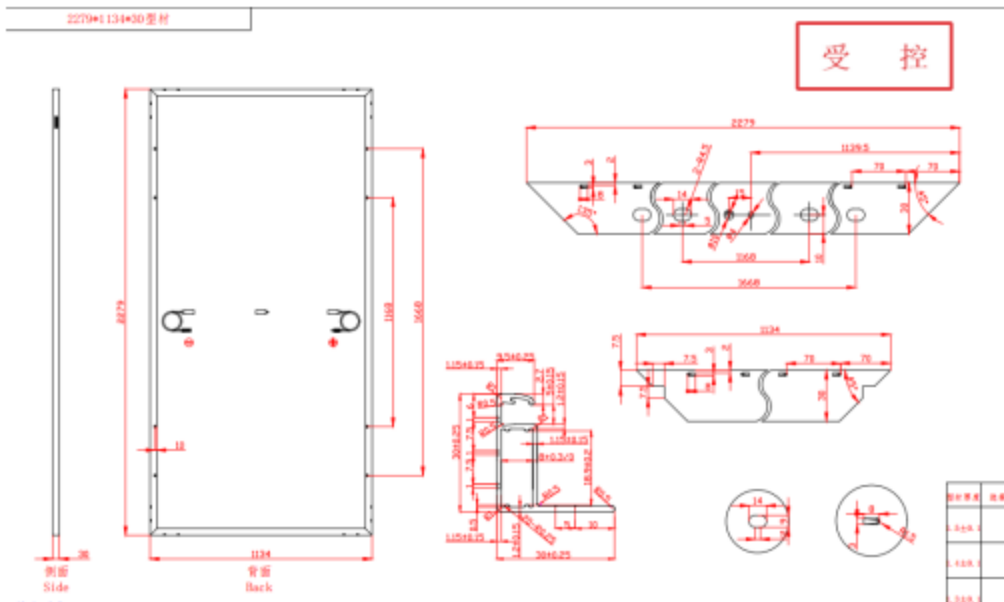
## MüllerSolartechnik 132 Cell half Cell

(also valid for MüllerSolartechnik 132 Cell Half cell)



### MüllerSolartechnik 144 Cell half Cell

(also valid for MüllerSolartechnik 144 Cell Half cell)



HoRay Solar Co.,LTD.

No. 30-5, Yanxin East Road, Huishan District, Wuxi City, Jiangsu, P.R. China

info@Horaysolar.com

Tel:+86-510-83580688

[www.horaysolar.com](http://www.horaysolar.com)

# HORAY

EXCELLENT PV MODULE MANUFACTURER

## HORAY SOLAR CO., LTD.

 No.30-5 East Yanxin Road, Huishan District, Wuxi, Jiangsu, China

 +86 510 83580688

 [www.horaysolar.com](http://www.horaysolar.com)

 [sales@horaysolar.com](mailto:sales@horaysolar.com)



Scan the QR code  
to follow WeChat



Scan the QR code  
to follow LinkedIn