

HORAY

Horay Installation Manual

Single Glass

EXCELLENT PV MODULE MANUFACTURER





HORAY SOLAR PV MODULES

Installation and User Manual

Revision date: 1 Jan, 2024 | Applicable for IEC certified products

This manual applies to photovoltaic modules ("PV modules", also commonly known as solar panels) manufactured by **HoRay Solar Co., Ltd.** ("**HoRay Solar**"), and is explicitly written for qualified professionals ("Installer" or "Installers"), including without limitation licensed electricians and RAL Certified PV Installers.

INTRODUCTION

Thank you for choosing **HoRay Solar** as your PV module provider. We appreciate your business! This manual contains important information pertaining to the electrical and mechanical installation and maintenance of PV modules, and includes safety information that you must read carefully and be familiar with before handling, installing, and/or maintaining **HoRay Solar** PV modules.

HoRay Solar does not assume responsibility and expressly disclaims liability for losses, damages, or expenses arising out of, or in any way connected with this Installation and User Manual. **HoRay Solar** assumes no responsibility for any infringement of patents or other rights of third parties, which may result from using **HoRay Solar** PV modules. No license is granted expressly or by implication or under any patent or patent rights. The information in this manual is believed to be reliable, but does not constitute an expressed or implied warranty. **HoRay Solar** reserves the right to make changes to its PV modules and other products, their specifications, or this manual without prior notice.

HoRay Solar and its subsidiaries are not liable for any damages caused by inappropriate installation, use, or maintenance of **HoRay Solar** PV modules, including without limitation damages, losses, and expenses caused by nonobservance of the instructions of this manual or caused by or in connection with products of other manufacturers.

HoRay Solar PV modules are designed to meet the requirements for the standards IEC 61215 and IEC 61730, application class A. Modules rated for use in this application class may be used in systems operating at greater than 50 VDC or 240 W, where general contact access is anticipated. Modules qualified for safety through IEC 61730-1 and IEC 61730-2 and within this application class are considered to meet the requirements for safety class II. In the course of the PV module certification process, the compliance of this manual with the certification requirements has been

verified by an independent certification laboratory. This Installation and User Manual is available in different languages. In cases of discrepancy between versions, the English language version shall control. Failure to comply with the requirements listed in this manual will invalidate the Limited Warranty for PV Modules as provided by **HoRay Solar** at the time of sale to the direct customer. Additional recommendations are provided to enhance safety practices and performance results. Please provide a copy of this manual to the PV system owner for their reference, and inform them of all relevant aspects of safety, operation, and maintenance.

SAFETY

General

You must understand and follow all applicable local, state, and federal regulations and standards for building construction, electrical design, fire, and safety. It is imperative to check with local authorities to determine the applicable permitting requirements before attempting to install or maintain PV modules.

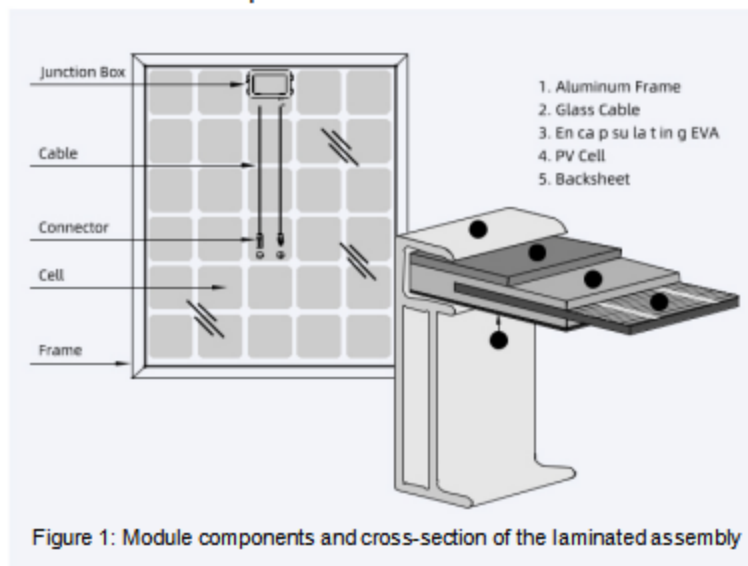


Rooftop PV systems should only be installed on dwellings that have undergone a formal analysis by a certified building specialist or engineer to confirm their structural integrity and ability to support the additional weight of PV system components, including PV modules.

For your safety, never work on a rooftop until all necessary safety precautions have been identified and implemented. This includes, but is not limited to, ensuring fall protection measures are in place, using proper ladders or stairways, and wearing personal protective equipment (PPE).

Avoid installing or handling PV modules under adverse conditions such as strong or gusty winds, and wet or frosted roof surfaces, as these can pose significant safety risks.

The flat-plate PV module is constructed from a laminated assembly of solar cells encapsulated within an insulating material. This assembly is protected by a rigid glass surface on one side and an insulated substrate on the other. The entire assembly is supported by an aluminum frame, which also serves as the mounting structure for the module. Refer to Figure 1 for a visual representation of the PV module components.



Electrical



PV modules can produce current and voltage when exposed to light of any intensity. Electrical current increases with higher light intensity. DC voltage of 30 Volts or higher is potentially lethal. Contacting the live circuitry of a PV system operating under light can result in lethal electric shock.

De-energize PV modules by removing them entirely from light or by covering their front surface with an opaque material. Regard the safety regulations for live electrical equipment when working with modules that are exposed to any light. Use insulated tools and do not wear metallic jewelry while working with PV modules.

In order to avoid arcing and electrical shock, do not disconnect electrical connections under load. Faulty connections can also result in arcing and electrical shock. Keep connectors dry and clean, and ensure that they are in proper working condition. Never insert metallic objects into the connectors, or modify them in any way in order to secure an electrical connection.

Do not touch or handle PV modules with broken glass, separated frames or a damaged backsheet unless the PV modules are first disconnected and you are wearing proper PPE. Avoid handling PV modules when they are wet unless cleaning the PV modules as directed in this manual. Never touch electrical connections that are wet without protecting yourself with insulated gloves.

Transport and Handling

HoRay Solar PV modules must be transported in the supplied packaging only and kept in the packaging until they are ready to be installed. Protect pallets against movement and exposure to damage during transportation. Secure pallets from falling over. Do not exceed the maximum height of pallets to be stacked, as indicated on the pallet packaging. Store pallets in a cool and dry location until the PV modules are ready to be unpackaged.

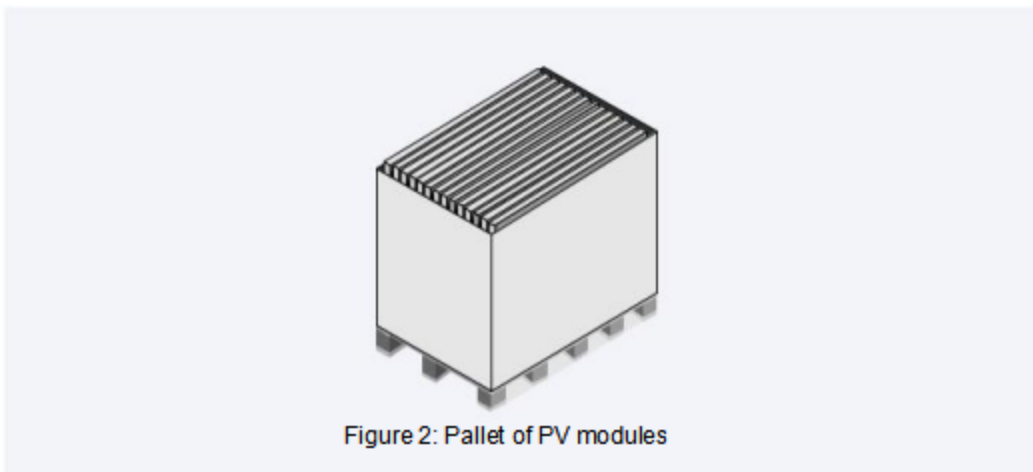


Figure 2: Pallet of PV modules

HoRay Solar PV modules are heavy, and should be handled with care. PV modules shall be handled at the frame; never use the junction box or cables as a grip. Do not exert mechanical stress on the cables. Never step on PV modules or drop or place heavy objects on them. Be careful when placing PV modules on hard surfaces, and secure them from falling. Broken glass can result in personal injury. PV modules with broken glass cannot be repaired and must not be used. Broken or damaged PV modules must be handled carefully and disposed of properly.

For unpacking PV modules from the **HoRay Solar** supplied packaging, first remove the pallet lid (after removing securing straps, if provided). Remove PV modules one at a time by sliding them up the channel in the package (see Figure 3). You may need to secure the remaining PV modules in the pallet packaging to prevent them from falling over.

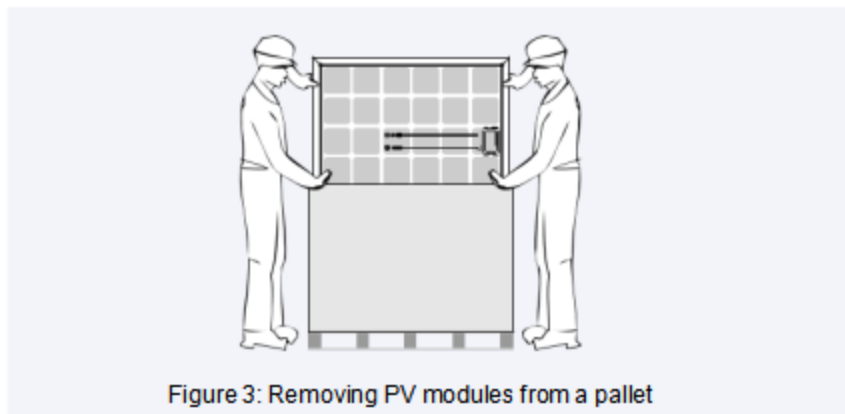


Figure 3: Removing PV modules from a pallet

Check PV modules for damage due to transportation before they are installed; do not install damaged modules. Contact the company you purchased the **HoRay Solar** PV modules from in order to obtain information on making claims for defective PV modules.

PV module surfaces are susceptible to damage that could affect the performance or safety of the PV module; do not damage or scratch the PV module surfaces, and do not apply paint or adhesive to any of the surfaces, including the frame. For your safety, do not disassemble or modify **HoRay Solar** PV modules in any way. Doing so may degrade performance or cause irreparable damage and will void any applicable warranties.

If it is necessary to store PV modules prior to installation, the PV modules should remain inside the packaging and protected from exposure that could compromise the durability of the packaging.

Fire

HoRay Solar PV Modules have a Class C fire resistance rating in accordance with the IEC 61730-2 certification. When PV modules are mounted on rooftops, the roof must have a fire resistant covering suitable for this application. PV modules are electrical generating devices that may affect the fire safety of a building. The use of improper installation methods and/or defective parts may result in the unexpected occurrence of an electrical arc during operation. In order to mitigate the risk of fire in this event, PV modules should not be installed near flammable liquids, gases, or locations with hazardous materials.

In the event of a fire, PV modules may continue to produce a dangerous voltage, even if they have been disconnected from the inverter, have been partly or entirely destroyed, or the system wiring has been compromised or destroyed. In the event of fire, inform the fire crew about the particular hazards from the PV system, and stay away from all elements of the PV system during and after a fire until the necessary steps have been taken to make the PV system safe.

APPLICATION INFORMATION

Application Restrictions

HoRay Solar PV modules must be mounted on appropriate mounting structures positioned on suitable buildings, the ground, or other structures suitable for PV modules (e.g. carports, building facades or PV trackers). PV modules must not be mounted on moving vehicles of any kind. **HoRay Solar** PV modules must not be installed in locations where they could be submerged in water.

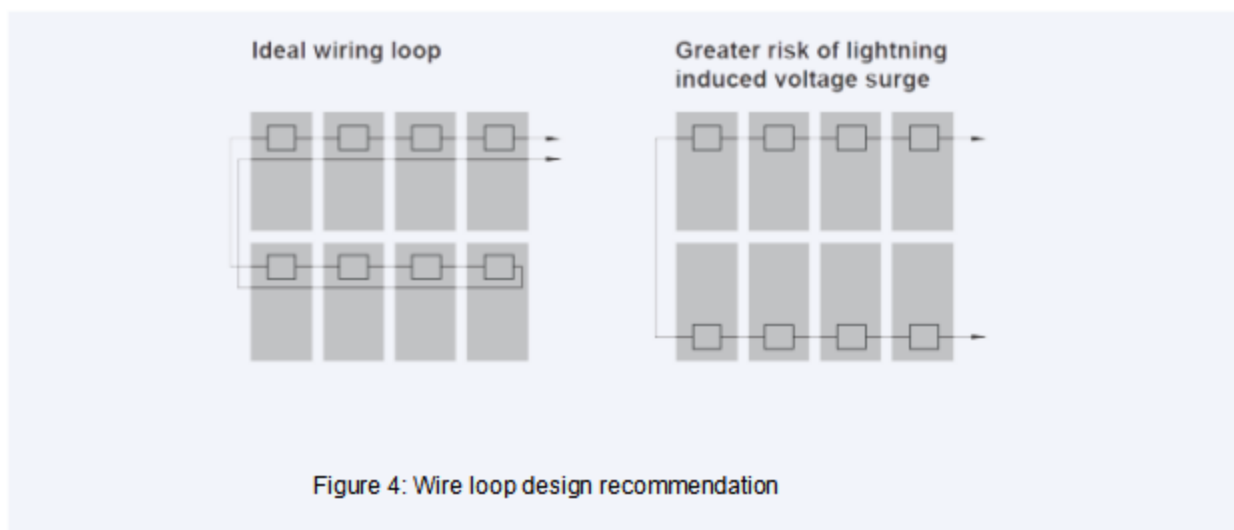
HoRay Solar PV modules must not be sited in locations where aggressive substances such as salt or salt-water, or any other type of corrosive agent, could affect the safety and/or performance of the PV modules. Although some types of **HoRay Solar** PV modules have passed the IEC 61701 salt-mist corrosion test with a salt concentration of 5% by weight, galvanic corrosion can occur between the aluminum frame of the PV module and mounting or grounding hardware if such hardware is comprised of dissimilar metals. **HoRay Solar** recommends that only stainless steel and aluminum metal directly contact PV modules in seaside installations to limit corrosion.

Artificially concentrated light must not be directed on **HoRay Solar** PV modules. Design Recommendations: **HoRay Solar** recommends that PV Modules be mounted at a minimum tilt angle of 10 degrees to allow for proper self-cleaning from normal rain showers. Partial or complete shading of a PV module or modules can significantly reduce system performance. **HoRay Solar** recommends minimizing the amount of shade throughout the year to increase the amount of energy produced by the PV modules.

Lightning protection is recommended for PV systems that are to be installed in locations with a high probability of lightning strikes.

High system voltages could be induced in the event of an indirect lightning strike, which could cause damage to PV system components. The open area of wire loops should be minimized, as shown in Figure 4, in order to reduce the risk

HoRay recommends that modules used or installed should be 2000 meters (altitude) at most of lightning induced voltage surges.

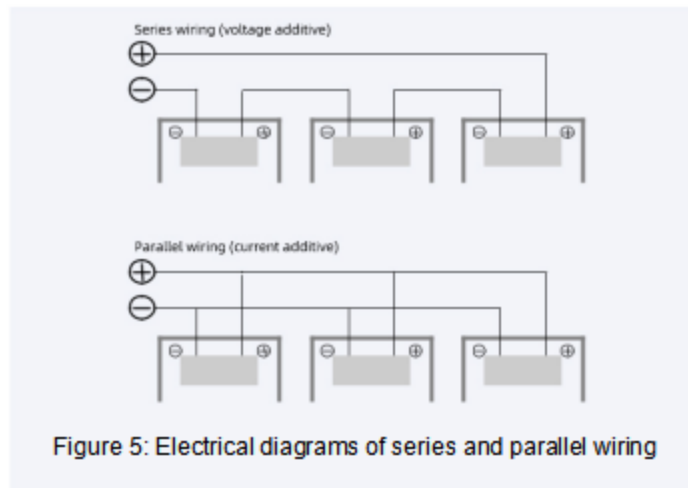


ELECTRICAL INSTALLATION

Electrical Configuration

Under normal conditions, a photovoltaic module is likely to experience conditions that produce more current and/or voltage than reported at Standard Test Conditions (STC: 1000 W/m², AM 1.5, and 25°C cell temperature). The short-circuit current (ISC) should be multiplied by a factor of 1.25 and the open-circuit voltage (VOC) should be multiplied by a factor of up to 1.25 based on the lowest ambient temperature recorded for the installation location when determining component voltage ratings, conductor current ratings, fuse sizes, and size of controls connected to the PV output.

Voltages are additive when PV modules are connected directly in series, and module currents are additive when PV modules are connected directly in parallel, as illustrated in Figure 5. PV modules with different electrical characteristics must not be connected directly in series. The use of suitable third-party electronic devices connected to PV modules may enable different electrical connections and must be installed according to the manufacturer's specified instructions.



The maximum number of PV modules that can be connected in a series string must be calculated in accordance with applicable regulations in such a way that the specified maximum system voltage of the PV module and all other electrical DC components will not be exceeded in open-circuit operation at the lowest temperature expected at the PV system location.

An appropriately rated overcurrent protection device must be used when the reverse current could exceed the value of the maximum fuse rating of the module. An over current protection device and anti-reflection diode module are required for each series string if more than two series strings are connected in parallel, and reverse polarity is forbidden.

Cables and Wiring

HoRay Solar PV modules are provided with two(2) stranded, sunlight resistant output cables that are terminated with PV connectors ready for most installations. The positive (+) terminal has a female connector while the negative (-) terminal has a male connector. The module wiring is intended for series connections [i.e. female (+) to male (-) interconnections], but can also be used to connect suitable third-party electrical devices that may have alternative wiring configurations so long as the manufacturer's instructions are followed.

Use field wiring with suitable cross-sectional areas that are approved for use at the maximum short-circuit current of the PV module. **HoRay Solar** recommends installers use only sunlight resistant cables qualified for direct current (DC) wiring in PV systems. The minimum wire size should be 4m m² .

Table 1: Required minimum field wiring specifications

	Testing Standard	Wire Size	Temperature Rating
Required Minimum Field Wiring	EN 50618	4m m 2	-40°C to +90°C

Cables should be fixed to the mounting structure in such a way that mechanical damage of the cable and/or the module is avoided. Do not apply stress to the cables. Do not bend cables to a bending radius of less than 40mm. For fixing, use appropriate means, such as sunlight resistant cable ties and/or wire management clips specifically designed to attach to the PV module frame. While the cables are sunlight resistant and waterproof, where possible, avoid direct sunlight exposure and water immersion of the cables.

Connectors

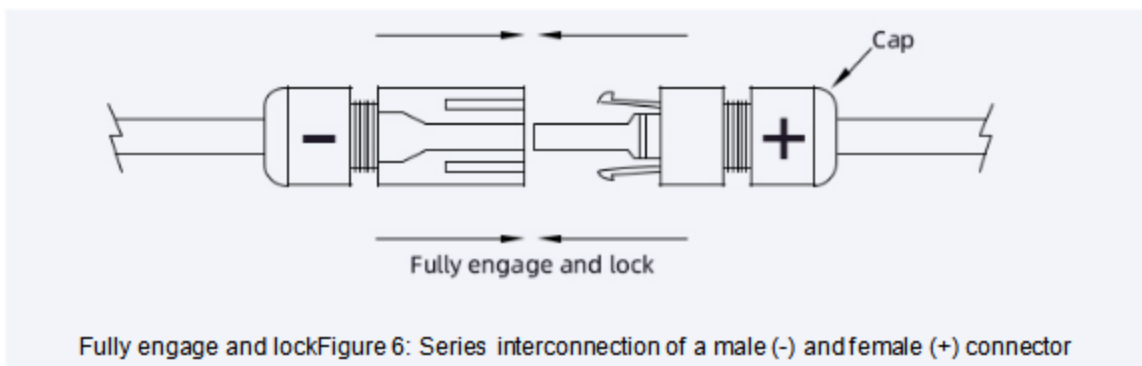


Keep connectors dry and clean, and ensure that connector caps are hand tight before connecting the modules. Do not attempt making an electrical connection with wet, soiled, or otherwise faulty connectors. Avoid sunlight exposure and water immersion of the connectors. Avoid connectors resting on the ground or roof surface.

Faulty connections can result in arcs and electrical shock. Check that all electrical connections are securely fastened. Make sure that all locking connectors are fully engaged and locked.

Modules must not be interconnected using connectors from different manufacturers and/or of different types. If modules having such different connectors need to be interconnected, a qualified professional may replace connectors according to the manufacturer's specified instructions such that an interconnection can be made with connectors from the same manufacturer and the same type.

The Suppliers and types of connectors should be in accordance with the Standard IEC 62852. For more details, please see the CDF.



Bypass Diodes

The junction boxes used with **HoRay Solar** PV modules (not Smart Hot Spot Free module) contain bypass diodes wired in parallel with the PV cell strings. In the case of partial shading, the diodes bypass the current generated by the non-shaded cells, thereby limiting module heating and performance losses. Bypass diodes are not over current protection devices.

Bypass diodes divert current from the cell strings in the event of partial shading. See Figure 7-1 for a diagram showing how the cell strings are electrically connected with the diodes.

Every piece of cells from HoRay Smart Hot Spot Free module parallels a diode. If a cell is covered by shade or an exception occurs, the paralleled diode can bypass this cell, thereby avoiding a hot spot and retaining the maximum power output.

Bypass diodes divert current from a cell in the event of partial shading. See Figure 7-2 for a diagram showing how the cells are electrically connected with the diodes.

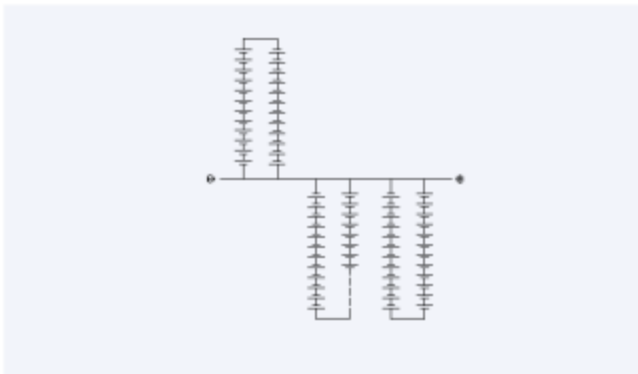


Figure 7-1: Electrical circuitry of cells and bypass diodes

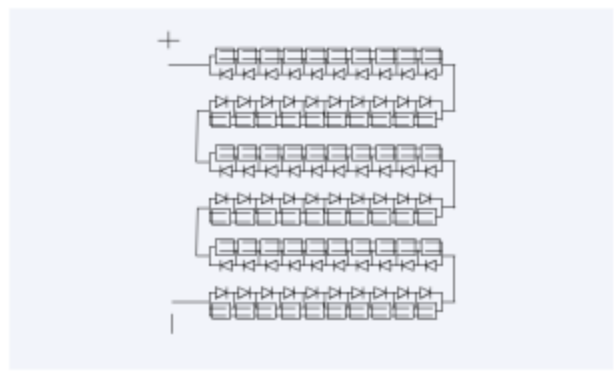


Figure 7-2: Electrical circuitry of cells and bypass diodes

In the event of a known or suspected diode failure, installers or maintenance providers should contact the company from which the PV modules were purchased. **Never attempt to open the junction box of a HoRay Solar PV module yourself.**

Grounding

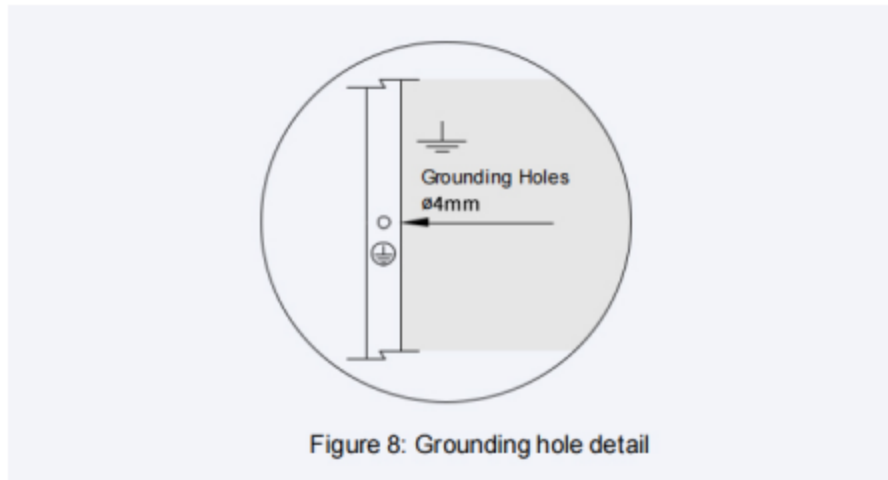
The frame of the PV module, as well as any exposed non-current-carrying metal parts of fixed equipment that are able to become energized by the PV system, must be connected to the equipment grounding conductor (EGC) in order to prevent electrical shock. Even when applicable regulations, code requirements, and standards do not require safety-related grounding, **HoRay Solar** recommends grounding all PV module frames in order to ensure the voltage between electrically conductive equipment and earth ground is zero in all circumstances.

Proper equipment grounding is achieved by bonding all exposed non-current-carrying metal equipment continuously to one another using an appropriately sized EGC or racking system that can be used for integrated grounding (see Option B in Grounding Methods below).

HoRay Solar PV modules employ a coated aluminum frame for corrosion resistance. In order to properly ground the module frame, the coating must be penetrated.

The potential for corrosion due to the electrochemical action between dissimilar metals in contact is minimized if the electrochemical voltage potential between the dissimilar metals is low. The grounding method must not result in the direct contact of dissimilar metals with the aluminum frame of the PV module that will result in galvanic corrosion. An addendum to UL Standard 1703 "Flat Plate Photovoltaic Modules and Panels" recommends metal combinations not exceed an electrochemical potential difference of 0.5 Volts.

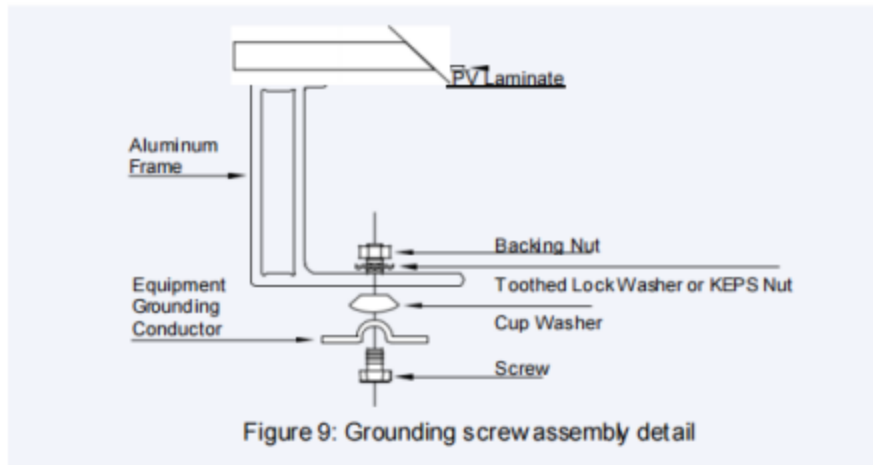
The frame rails have pre-drilled holes marked with a grounding sign, as illustrated in Figure 8. These holes should be used for grounding purposes and must not be used for mounting the PV modules. Do not drill additional holes into the frame rails.



The following grounding methods are available:

Option A: Screw Assembly (see Figure 9)

1. A grounding screw assembly must be attached at a designated grounding hole location using only stainless steel hardware. Insert an M3 stainless steel screw first through the stainless steel cup washer, and then through the grounding hole.
2. Loosely engage a stainless steel backing nut and toothed lock washer to the screw.
3. Bend the EGC into an omega (Ω) shape to tightly fit between the partially installed screw head and cup washer. The EGC shall be exclusively in contact with stainless steel.
4. Tighten the screw to 2.3 N·m torque. The toothed lock washer should be visibly engaged to the frame.
5. Route the appropriately sized EGC in such a way as to avoid contact with the aluminum module frame.



Option B: Racking Manufacturer Integrated Grounding Methods

HoRay Solar PV modules can be grounded by bonding PV modules to a grounded racking system. Integrated grounding methods must be certified for grounding PV modules and must be installed in accordance with the specified instructions of their respective manufacturers.

Option C: Additional Third-party Grounding Devices

HoRay Solar PV modules can be grounded using third party grounding devices so long as they are certified for grounding PV modules and the devices are installed according to the manufacturer's specified instructions.

MECHANICAL INSTALLATION

General

HoRay Solar PV Modules have been certified for a maximum static load on the back of the module of up to 1600 Pa (i.e. wind load) and a maximum static load on the front of the module of up to either 1600 Pa or 3600 Pa (i.e. wind and snow load) with a safety factor of 1.5 depending on the module type (please refer to the data sheet for this information).

Mounting structures and other mechanical parts must be designed and approved to withstand the design wind and snow loads applicable for a particular site. **HoRay Solar** PV modules must not be subjected to forces from the substructure, including forces caused by thermal expansion.

The mounting method must not result in the direct contact of dissimilar metals with the aluminum frame of the PV module that will result in galvanic corrosion. An addendum to UL Standard 1703 "Flat Plate Photovoltaic Modules and Panels" recommends metal combinations not exceed an electrochemical potential difference of 0.5 Volts.

HoRay Solar PV modules can be mounted in landscape or portrait orientation, as illustrated in Figure 10, provided that the mounting method follows one of the acceptable methods listed below.

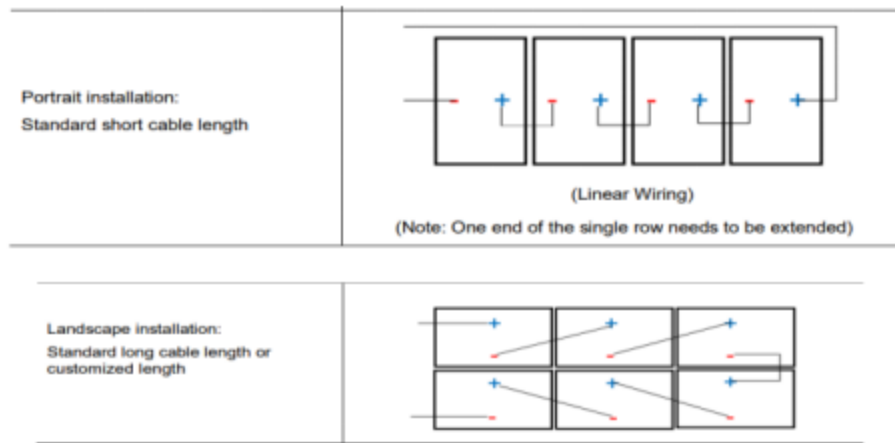


Figure 10: Landscape and portrait mounting

In order to maintain the fire class rating, the distance between the PV module front surface (glass) and the roof surface shall be at least 10 cm. This spacing also allows air flow to cool the PV module. Install PV modules with a minimum spacing of 1 cm between neighboring frames to allow for thermal expansion.

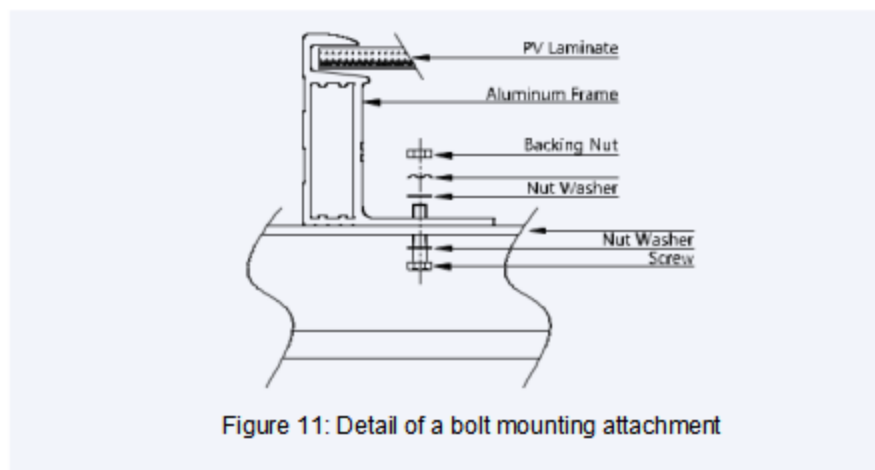
Mounting Methods

The following mounting methods are available:

Bolts or Clamps

Refer to the Module Supplement distributed with this manual to determine how many connection points are required for a specific module series. The locations of mounting holes and clamp tolerances are illustrated in the drawings located in the Module Supplement. Do not modify the existing mounting holes or drill new holes. Do not apply excessive pressure on the frame such that the frame deforms.

Bolts: Modules must be mounted using the mounting holes located on the rear side of the long frame parts using M8 stainless steel bolts, nuts, and washers. The torque of screw tightening should be between 14N · m to 20N · m.



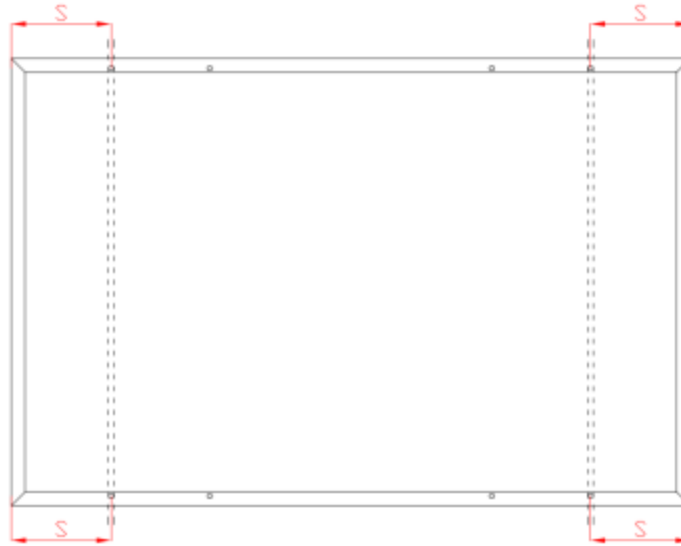


Figure12-1:Mountingrails mustrunperpendicularlytothelongframe $360\text{mm} < S < 410\text{mm}$

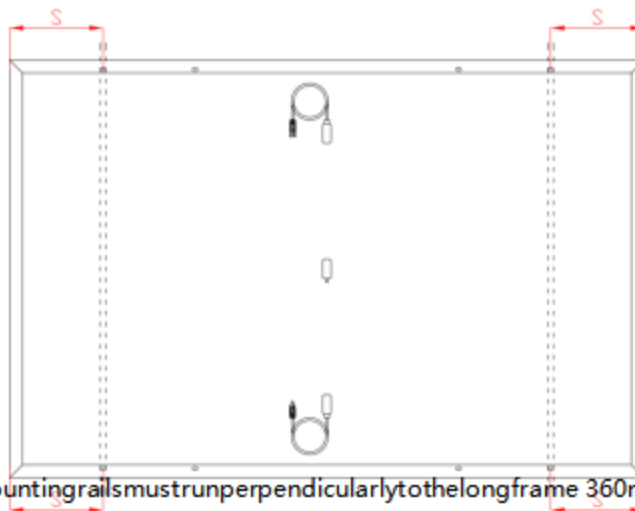
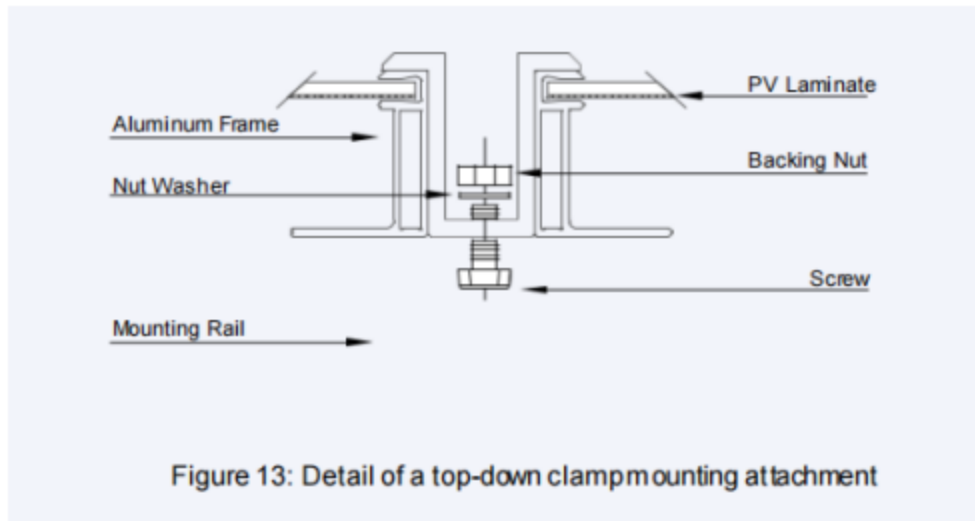


Figure12-1:Mountingrails mustrunperpendicularlytothelongframe $360\text{mm} < S < 410\text{mm}$

• **Top-down Clamps:** Third-party clamps that have been designed for PV mounting structures are an approved mounting attachment method for **HoRay Solar** PV modules. Modules must be fastened using clamps applied to the top side of the long frame parts. A clamp holds two modules except for the clamps at the beginning and end of a module row. The centerline of the clamps must be in line with the mounting hole positions plus or minus a distance of 50mm. The module clamps should not contact with the front glass and deform the frame, and should avoid shadowing effects from the module clamps. The module frame is not to be modified under any circumstances. The applied torque value should be big enough to fix the modules steadily. The torque of screw tightening should be between 16N·m to 24N·m.



MAINTENANCE

General

HoRay Solar recommends that PV systems be periodically inspected by the installer, or other qualified person.

The purpose of the PV system inspection is to ensure that all system components are functioning properly. At a minimum, this inspection should confirm the following:

All cables and connector attachments are undamaged and properly secured.

- No sharp objects are in contact with the PV module surfaces.
- PV modules are not shaded by unwanted obstacles and/or foreign material.
- Mounting and grounding components are tightly secured with no corrosion. Defects should be addressed immediately.

Cleaning

Over time, dirt and dust can accumulate on the glass surface of the module, reducing its power output. **HoRay Solar** recommends periodic cleaning of PV modules to ensure maximum power output, especially in regions with low precipitation.

In order to reduce the potential for electrical and thermal shock, **HoRay Solar** recommends cleaning PV modules during early morning or late afternoon hours when solar radiation is low and the modules are cooler, especially in regions with hotter temperatures.

Never attempt to clean a PV module with broken glass or other signs of exposed wiring, as this presents a shock hazard.

Clean the glass surface of the PV modules with a soft brush using soft, clean water (PH6-9) with a recommended pressure less than 690kPa, which is typical of most municipal water systems.

Water with high mineral content may leave deposits on the glass surface and is not recommended.

HoRay Solar PV modules may contain a hydrophobic anti-reflective coating on the glass



surface to enhance power output and reduce dirt and dust buildup. In order to avoid module damage, do not clean PV modules with a power washer or pressure washer. Do not use steam or corrosive chemicals to facilitate the cleaning of modules. Do not use aggressive tools or abrasive materials that could scratch or damage the glass surface. Failure to comply with these requirements may adversely affect the PV module performance.

HoRay Solar PV modules are designed to withstand high snow loads. However, if removing snow is desired to enhance production, use a brush to gently remove snow. Do not try to remove frozen snow or ice from PV modules.

DECOMMISSIONING

The dismantling of PV systems must be performed with the same care and safety precautions used during the initial installation. The PV system can generate hazardous voltage even after the system has been disconnected. Follow safety regulations for working with live electrical equipment.

Do not dispose of electrical appliances as unsorted municipal waste, use separate collection facilities.

Contact your local government for information regarding the collection systems available.

If electrical appliances are disposed of in landfills or dumps, hazardous substances can leak into the groundwater and get into the food chain, damaging your health and well-being. When replacing old appliances with new ones, the retailer is legally obligated to take back your old appliance for disposal at least free of charge.

HoRay Solar CO.,LTD.

info@horaysolar.com

Tel:+86-510-83580688

www.horaysolar.com

HORAY SOLAR PV MODULES

Module Supplement

Revision date: 1 Jan, 2024 | Applicable for IEC certified products.

The information in this supplement is believed to be reliable, but does not constitute an expressed or implied warranty. Solar reserves the right to make changes to its PV modules and other products, their specifications, or this supplement without prior notice.

This supplement to the installation manual does not contain information about some older module series no longer being manufactured by **HoRay Solar**. If you require information about such modules, please contact **HoRay Solar**. This supplement refers to modules of the following types:

Table 1: Module types

TYPE	(Pmax) STC	(Vmpp)	(Impp)	(Voc)	(Isc)	system voltage	Fuse rating
HS640-MHG	640	37.21	17.20	45.18	18.06	1500V	30A
HS645-MHG	645	37.41	17.24	45.38	18.11	1500V	30A
HS650-MHG	650	37.61	17.28	45.58	18.16	1500V	30A
HS585-MHG	585	33.8	17.3	40.9	18.37	1500V	30A
HS590-MHG	590	34.0	17.35	41.1	18.42	1500V	30A
HS595-MHG	595	34.2	17.4	41.3	18.47	1500V	30A
HS600-MHG	600	34.4	17.44	41.5	18.52	1500V	30A
HS535-MHG	535	31.36	17.06	37.66	18.07	1500V	30A
HS540-MHG	540	31.56	17.11	37.86	18.12	1500V	30A
HS545-MHG	545	31.76	17.16	38.06	18.17	1500V	30A
HS550-MHG	550	31.96	17.21	38.26	18.22	1500V	30A
HS485-MHG	485	28.49	17.05	34.22	18.08	1500V	30A
HS490-MHG	490	28.69	17.08	34.42	18.13	1500V	30A
HS495-MHG	495	28.89	17.13	34.62	18.21	1500V	30A
HS500-MHG	500	29.09	17.19	34.82	18.29	1500V	30A
HS535-MHO	535	41.00	13.05	49.20	13.81	1500V	25A
HS540-MHO	540	41.20	13.11	49.40	13.87	1500V	25A
HS545-MHO	545	41.40	13.17	49.60	13.93	1500V	25A
HS550-MHO	550	41.60	13.23	49.80	13.99	1500V	25A
HS555-MHO	555	41.80	13.28	50.00	14.05	1500V	25A
HS560-MHO	560	42.00	13.34	50.20	14.11	1500V	25A
HS495-MHO	495	37.60	13.17	45.10	13.78	1500V	25A
HS500-MHO	500	37.80	13.23	45.30	13.83	1500V	25A
HS505-MHO	505	38.00	13.29	45.50	13.89	1500V	25A
HS510-MHO	510	38.20	13.35	45.70	13.94	1500V	25A
HS515-MHO	515	38.40	13.41	45.90	14.00	1500V	25A

HS450-MHO	450	34.60	13.01	41.40	13.68	1500V	25A
HS455-MHO	455	34.80	13.08	41.60	13.73	1500V	25A
HS460-MHO	460	35.00	13.15	41.80	13.78	1500V	25A
HS465-MHO	465	35.20	13.21	42.00	13.84	1500V	25A
HS470-MHO	470	35.40	13.28	42.20	13.90	1500V	25A
HS405-MHO	405	31.02	13.06	37.14	13.65	1500V	25A
HS410-MHO	410	31.22	13.14	37.34	13.70	1500V	25A
HS415-MHO	415	31.42	13.21	37.54	13.77	1500V	25A
HS420-MHO	420	31.62	13.28	37.74	13.86	1500V	25A
HS445-MHL	445	41.20	10.81	49.80	11.40	1500V	20A
HS450-MHL	450	41.40	10.88	50.00	11.47	1500V	20A
HS455-MHL	455	41.60	10.94	50.20	11.54	1500V	20A
HS460-MHL	460	41.80	11.00	50.40	11.61	1500V	20A
HS465-MHL	465	42.00	11.07	50.60	11.68	1500V	20A
HS410-MHL	410	37.82	10.84	45.70	11.43	1500V	20A
HS415-MHL	415	38.02	10.92	45.90	11.52	1500V	20A
HS420-MHL	420	38.22	10.99	46.10	11.61	1500V	20A
HS425-MHL	425	38.42	11.06	46.30	11.69	1500V	20A
HS370-MHL	370	34.10	10.86	41.30	11.37	1500V	20A
HS375-MHL	375	34.30	10.95	41.50	11.46	1500V	20A
HS380-MHL	380	34.50	11.04	41.70	11.55	1500V	20A
HS385-MHL	385	34.70	11.10	41.90	11.66	1500V	20A
TYPE	(Pmax)	(Vmpp)	(Impp)	(Voc)	(Isc)	system voltage	Fuse
HS80-MHG	80	21.50	3.72	25.60	3.95	1500V	15A
HS85-MHG	85	21.60	3.94	25.92	4.17	1500V	15A
HS90-MHG	90	21.70	4.15	26.04	4.40	1500V	15A
HS110-MHG	110	21.60	5.10	25.80	5.41	1500V	15A
HS115-MHG	115	21.70	5.30	25.90	5.73	1500V	15A
HS120-MHG	120	21.80	5.50	26.16	5.83	1500V	15A
HS170-MHG	170	21.70	7.84	25.90	8.31	1500V	15A
HS175-MHG	175	21.80	8.03	26.16	8.51	1500V	15A
HS180-MHG	180	21.90	8.22	26.28	8.71	1500V	15A
HS60-MHO	60	21.10	2.85	24.90	3.02	1500V	15A
HS65-MHO	65	21.20	3.07	25.44	3.25	1500V	15A
HS80-MHO	80	21.20	3.78	25.10	4.01	1500V	15A
HS85-MHO	85	21.30	3.99	25.56	4.23	1500V	15A
HS90-MHO	90	21.40	4.21	25.68	4.46	1500V	15A
HS120-MHO	120	21.30	5.64	25.20	5.98	1500V	15A
HS125-MHO	125	21.40	5.84	25.68	6.19	1500V	15A
HS130-MHO	130	21.50	6.05	25.80	6.41	1500V	15A
HS50-MHL	50	20.70	2.42	24.80	2.56	1500V	15A
HS55-MHL	55	20.80	2.64	25.00	2.80	1500V	15A

HS70-MHL	70	20.80	3.37	25.00	3.57	1500V	15A
HS75-MHL	75	20.90	3.59	25.10	3.80	1500V	15A
HS100-MHL	100	20.90	4.79	25.10	5.08	1500V	15A
HS105-MHL	105	21.00	5.00	25.20	5.30	1500V	15A
HS110-MHL	110	21.10	5.21	25.32	5.53	1500V	15A
HS590TC-MHO	590	43.44	13.59	51.63	14.38	1500V	25A
HS585TC-MHO	585	43.33	13.51	51.52	14.30	1500V	25A
HS580TC-MHO	580	43.22	13.42	51.41	14.22	1500V	25A
HS575TC-MHO	575	43.11	13.34	51.30	14.	1500V	25A
HS570TC-MHO	570	43.00	13.26	51.19	14.05	1500V	25A
HS565TC-MHO	565	42.91	13.17	51.09	13.97	1500V	25A
HS560TC-MHO	560	42.82	13.08	50.99	13.89	1500V	25A
HS540TC-MHO	540	40.64	13.29	48.27	14.35	1500V	25A
HS535TC-MHO	535	40.44	13.23	48.04	14.29	1500V	25A
HS530TC-MHO	530	40.24	13.17	47.81	14.22	1500V	25A
HS525TC-MHO	525	40.04	13.11	47.57	14.16	1500V	25A
HS520TC-MHO	520	39.84	13.05	47.33	14.10	1500V	25A
HS515TC-MHO	515	39.64	12.99	46.98	14.03	1500V	25A
HS490TC-MHO	490	36.84	13.3	43.66	14.37	1500V	25A
HS485TC-MHO	485	36.64	13.23	43.46	14.30	1500V	25A
HS480TC-MHO	480	36.44	13.17	43.26	14.22	1500V	25A
HS475TC-MHO	475	36.24	13.11	43.06	14.15	1500V	25A
HS470TC-MHO	470	36.04	13.04	42.86	14.08	1500V	25A
HS440TC-MHO	440	33.24	13.24	39.53	14.30	1500V	25A
HS435TC-MHO	435	33.04	13.17	39.33	14.22	1500V	25A
HS430TC-MHO	430	32.84	13.10	39.13	14.15	1500V	25A
HS425TC-MHO	425	32.64	13.03	38.93	14.07	1500V	25A
HS420TC-MHO	420	32.44	12.95	38.73	14.00	1500V	25A
HS445TC-MHA	445	33.19	13.41	39.77	13.87	1500V	25A
HS440TC-MHA	440	32.99	13.34	39.57	13.80	1500V	25A
HS435TC-MHA	435	32.78	13.27	39.36	13.72	1500V	25A
HS430TC-MHA	430	32.58	13.20	39.16	13.65	1500V	25A
HS425TC-MHA	425	32.37	13.13	38.95	13.58	1500V	25A
HS620TC-MHB	620	44.80	13.84	52.60	14.78	1500V	25A
HS615TC-MHB	615	44.60	13.79	52.40	14.72	1500V	25A
HS610TC-MHB	610	44.40	13.74	52.20	14.66	1500V	25A
HS605TC-MHB	605	44.20	13.69	52.00	14.60	1500V	25A
HS600TC-MHB	600	44.00	13.64	51.80	14.54	1500V	25A
HS595TC-MHB	595	43.80	13.59	51.60	14.48	1500V	25A
HS590TC-MHB	590	43.60	13.54	51.40	14.42	1500V	25A

MOUNTING REQUIREMENTS

Mounting Method: Clamps

Table 2: Mounting requirements

Modules that Require Four (4) Connection Points
HS 60Cell Series 2 HS 60Cell Series 2
HS 60Cell HS 60 Cell1 500V
HS 120 Cell half Cell HS 120 Cell half Cell
HS 60Cell HS 60Cell

ELECTRICAL CHARACTERISTICS

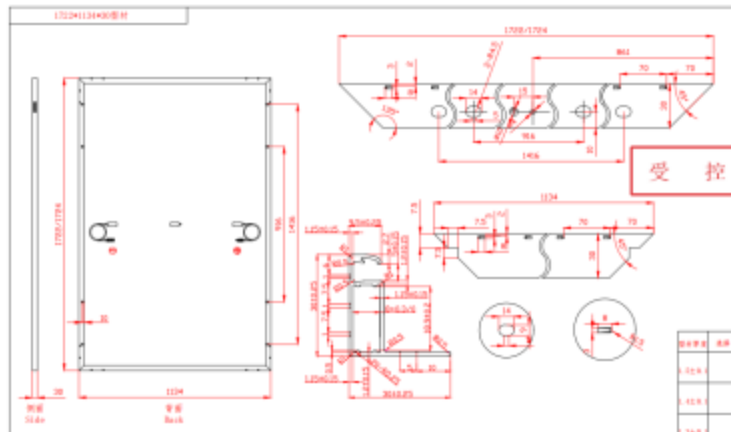
Nameplate ratings are average values. The electrical characteristics are within +/- 10 percent of the indicated values of I_{sc} , V_{oc} , and P_{max} under Standard Test Conditions (irradiance of 1000 W/m², AM 1.5 spectrum, and a cell temperature of 25°C). Refer to module datasheets for specific power output tolerances. Please refer to Table 1 to see which power classes actually exist for which module series.

REAR AND SIDE VIEW DIMENSIONS OF MODULE SERIES WITH 30MM FRAME (CONT.)

UNITS: mm

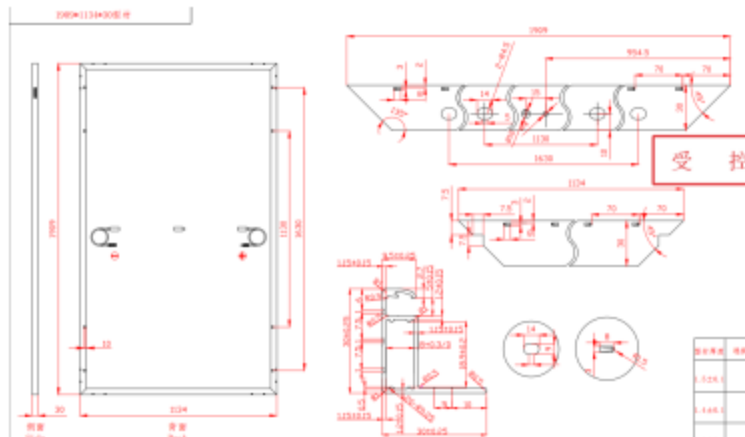
HORAY 108 Cells

(also valid for HORAY108 Cells)



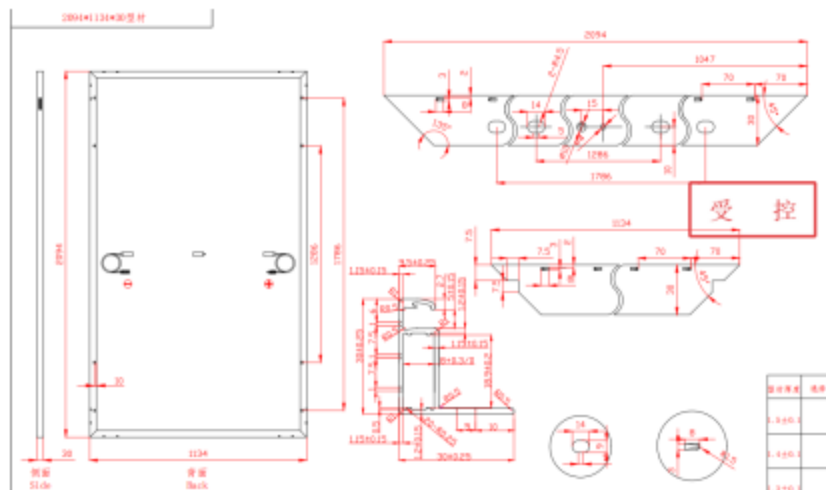
HORAY 120 Cells

(also valid for HORAY120 Cells)

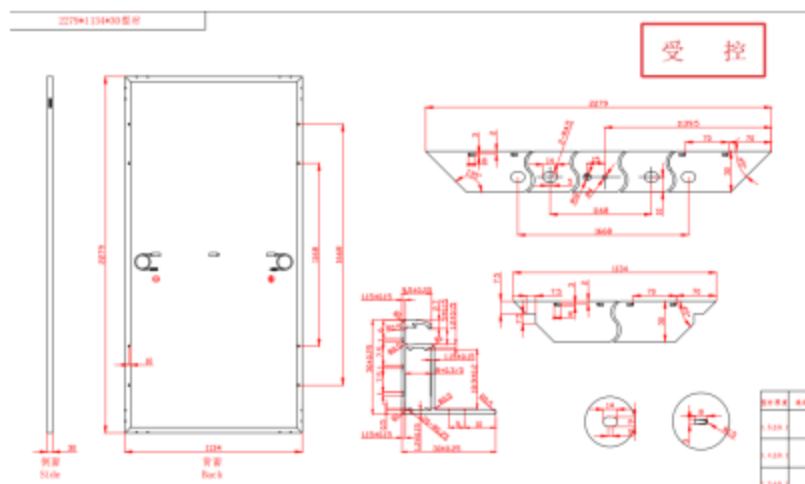


HORAY 132 Cell half Cell

(also valid for HORAY 132 Cell Half cell)



HORAY 144 Cell half Cell
 (also valid for HORAY144 Cell Half cell)



HoRay Solar Co.,LTD.

No. 30-5, Yanxin East Road, Huishan District, Wuxi City, Jiangsu, P.R. China

info@Horaysolar.com

Tel:+86-510-83580688

www.horaysolar.com

HORAY

EXCELLENT PV MODULE MANUFACTURER

HORAY SOLAR CO., LTD.

 No.30-5 East Yanxin Road, Huishan District, Wuxi, Jiangsu, China

 +86 510 83580688

 www.horaysolar.com

 sales@horaysolar.com



Scan the QR code
to follow WeChat



Scan the QR code
to follow LinkedIn